

T655 & T658

Section

4501 CUP FULL

Mounting pattern for boom length
available upon request

14" Wide Cut Bases

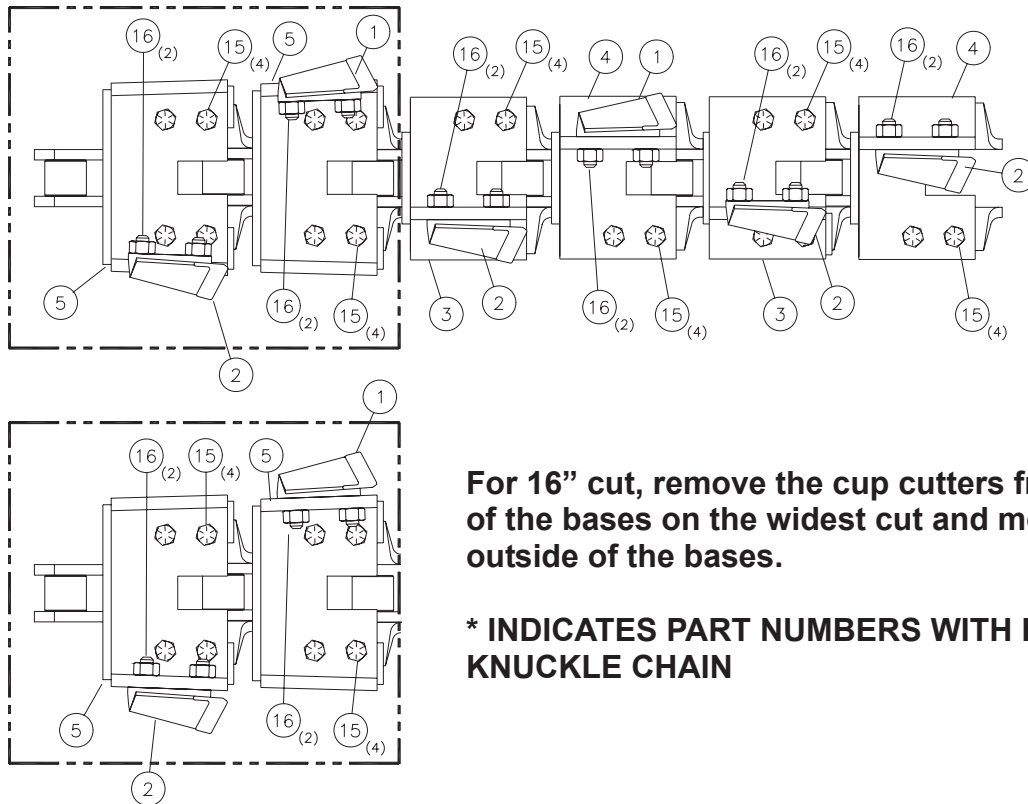
4501KC140626	*4501AC140626	*4501HC140626
4501KC140686	*4501AC140686	*4501HC140686
4501KC140746	*4501AC140746	*4501HC140746
4501KC140866	*4501AC140866	*4501HC140866

NO.	PART NO.	DESCRIPTION	NO.	PART NO.	DESCRIPTION
1	633298001	CUP CUTTER, 7" LH	5	46858001	BASE – DBL CUTTER
2	633297001	CUP CUTTER, 7" RH	15	386024	BOLT, 3/4" NF X 2.50"
3	46855001	BASE – RIGHT CUTTER	16	386022	BOLT, 3/4" NF X 2.25"
4	46856001	BASE – LEFT CUTTER	17	398001	NUT, SLTL 3/4" NF

16" Wide Cut Bases

4501KC160626	*4501AC160626	*4501HC160626
4501KC160686	*4501AC160686	*4501HC160686
4501KC160746	*4501AC160746	*4501HC160746
4501KC160866	*4501AC160866	*4501HC160866

NO.	PART NO.	DESCRIPTION	NO.	PART NO.	DESCRIPTION
1	633298001	CUP CUTTER, 7" LH	5	46858001	BASE – DOUBLE CUTTER
2	633297001	CUP CUTTER, 7" RH	15	386024	BOLT, 3/4" NF X 2.50"
3	46855001	BASE – RIGHT CUTTER	16	386022	BOLT, 3/4" NF X 2.25"
4	46856001	BASE – LEFT CUTTER	17	398001	NUT, SLTL 3/4" NF



For 16" cut, remove the cup cutters from the inside of the bases on the widest cut and mount to the outside of the bases.

* INDICATES PART NUMBERS WITH HEAVY DUTY KNUCKLE CHAIN

4501 CUP FULL

Mounting pattern for boom length available upon request

18" Wide Cut Bases

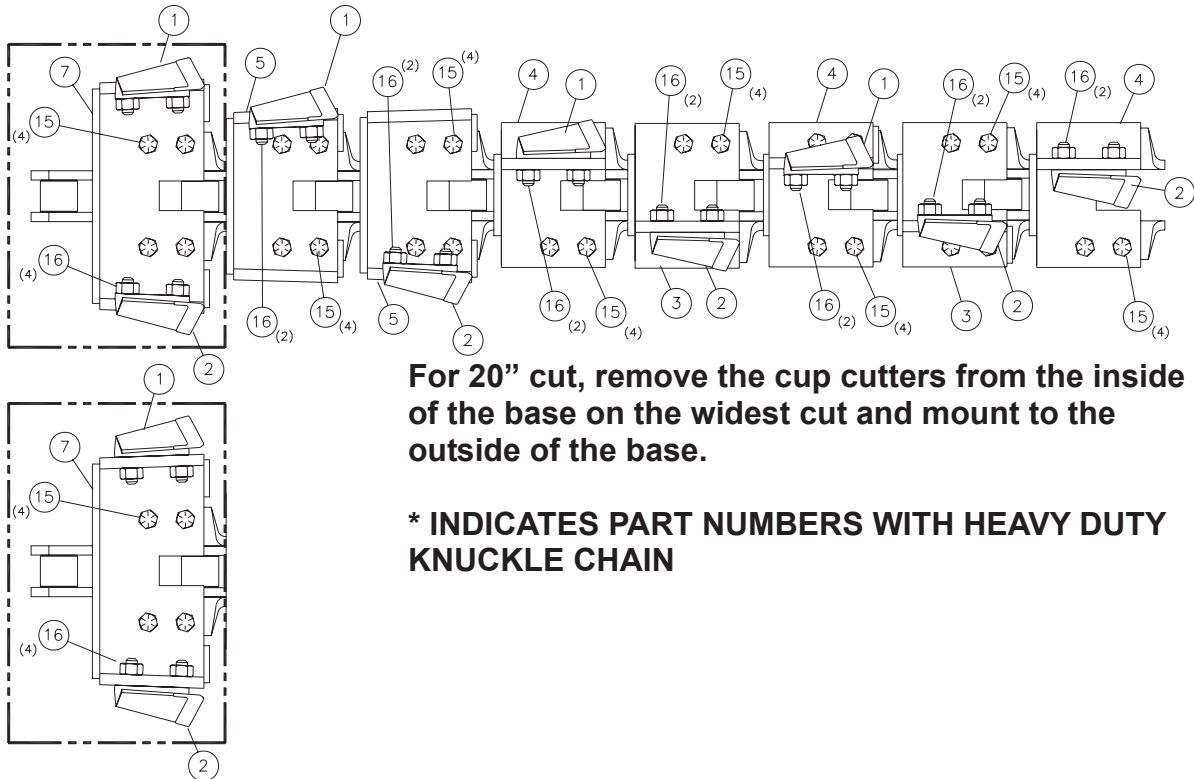
4501KC180626	*4501AC180626	*4501HC180626
4501KC180686	*4501AC180686	*4501HC180686
4501KC180746	*4501AC180746	*4501HC180746
4501KC180866	*4501AC180866	*4501HC180866

NO.	PART NO.	DESCRIPTION	NO.	PART NO.	DESCRIPTION
1	633298001	CUP CUTTER, 7" LH	7	46859001	BASE – 18/20 DBL CUTTER
2	633297001	CUP CUTTER, 7" RH	15	386024	BOLT, 3/4" NF X 2.50"
3	46855001	BASE – RIGHT CUTTER	16	386022	BOLT, 3/4" NF X 2.25"
4	46856001	BASE – LEFT CUTTER	17	398001	NUT, SLTL 3/4" NF
5	46858001	BASE – DOUBLE CUTTER			

20" Wide Cut Bases

4501KC200626	*4501AC200626	*4501HC200626
4501KC200686	*4501AC200686	*4501HC200686
4501KC200746	*4501AC200746	*4501HC200746
4501KC200866	*4501AC200866	*4501HC200866

NO.	PART NO.	DESCRIPTION	NO.	PART NO.	DESCRIPTION
1	633298001	CUP CUTTER, 7" LH	7	46859001	BASE – 18/20 DBL CUTTER
2	633297001	CUP CUTTER, 7" RH	15	386024	BOLT, 3/4" NF X 2.50"
3	46855001	BASE – RIGHT CUTTER	16	386022	BOLT, 3/4" NF X 2.25"
4	46856001	BASE – LEFT CUTTER	17	398001	NUT, SLTL 3/4" NF
5	46858001	BASE – DOUBLE CUTTER			



For 20" cut, remove the cup cutters from the inside of the base on the widest cut and mount to the outside of the base.

* INDICATES PART NUMBERS WITH HEAVY DUTY KNUCKLE CHAIN

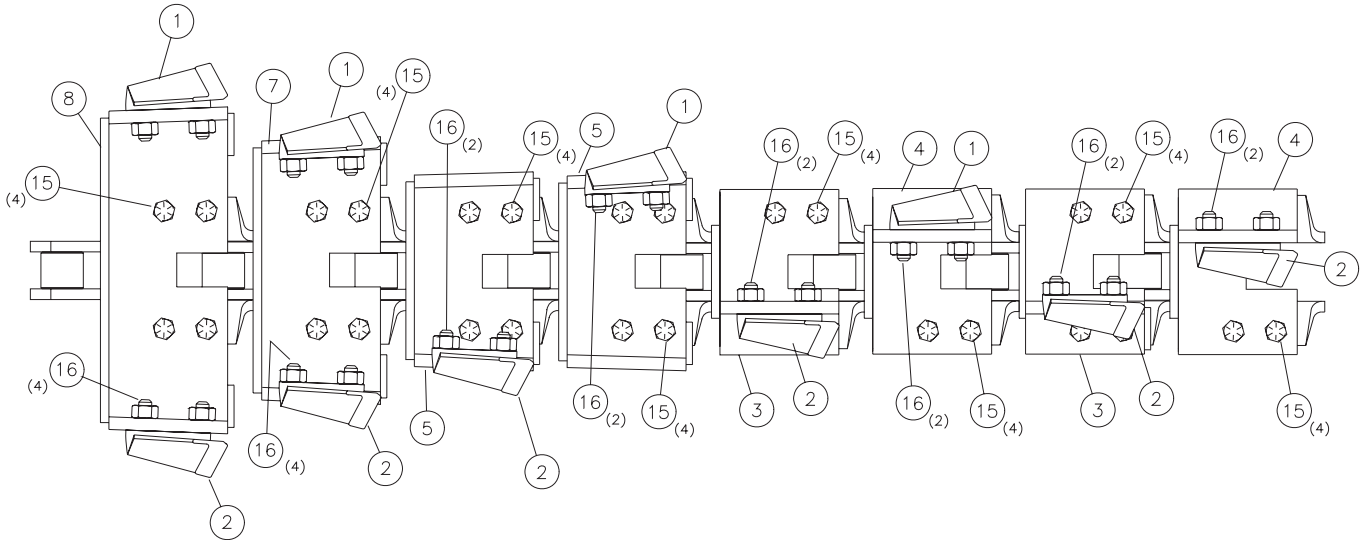
4501 CUP FULL

Mounting pattern for boom length
available upon request

24" Wide Cut Bases

4501KC240626	*4501AC240626	*4501HC240626
4501KC240686	*4501AC240686	*4501HC240686
4501KC240746	*4501AC240746	*4501HC240746
4501KC240866	*4501AC240866	*4501HC240866

NO.	PART NO.	DESCRIPTION	NO.	PART NO.	DESCRIPTION
1	633298001	CUP CUTTER, 7" LH	7	46859001	BASE – 18/20 DBL CUTTER
2	633297001	CUP CUTTER, 7" RH	8	46860001	BASE – 24 DBL CUTTER
3	46855001	BASE – RIGHT CUTTER	15	386024	BOLT, 3/4" NF X 2.50"
4	46856001	BASE – LEFT CUTTER	16	386022	BOLT, 3/4" NF X 2.25"
5	46858001	BASE – DOUBLE CUTTER	17	398001	NUT, SLTL 3/4" NF



* INDICATES PART NUMBERS WITH HEAVY DUTY KNUCKLE

4501 ROTARY WITH 1" BLOCKS

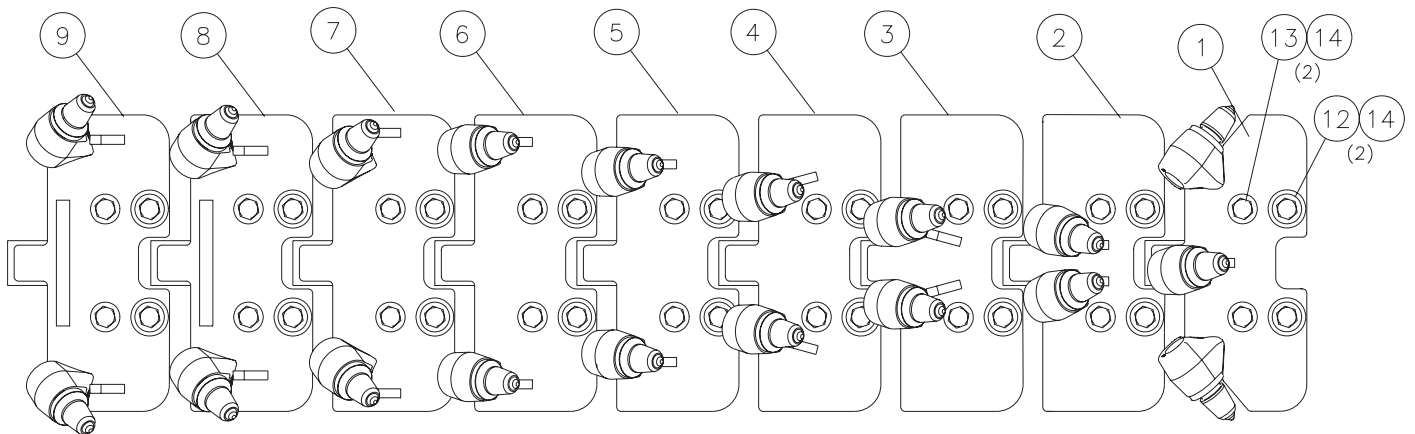
Mounting pattern for boom length available upon request

10.5" Wide Cut Bases

4501KR100626			*4501AR100626			*4501HR100626		
4501KR100686			*4501AR100686			*4501HR100686		
4501KR100746			*4501AR100746			*4501HR100746		
NO.	PART NO.	DESCRIPTION	NO.	PART NO.	DESCRIPTION			
1	304333001	BASE – ROTARY CUTTER 2A	5	304337001	BASE – ROTARY CUTTER 2E			
2	304334001	BASE – ROTARY CUTTER 2B	6	304338001	BASE – ROTARY CUTTER 2F			
3	304335001	BASE – ROTARY CUTTER 2C	12	386032	BOLT – 3/4" X 3.25"			
4	304336001	BASE – ROTARY CUTTER 2D	13	386040	BOLT – 3/4" X 4.00"			
			14	85979001	WASHER – FLAT HARD			
			16	398001	NUT – SLTL 3/4" NF			

12" Wide Cut Bases

4501KR120626			*4501AR120626			*4501HR120626		
4501KR120686			*4501AR120686			*4501HR120686		
4501KR120746			*4501AR120746			*4501HR120746		
NO.	PART NO.	DESCRIPTION	NO.	PART NO.	DESCRIPTION			
1	304352001	BASE – ROTARY CUTTER-9A	5	304356001	BASE – ROTARY CUTTER-9E			
2	304353001	BASE – ROTARY CUTTER-9B	6	304357001	BASE – ROTARY CUTTER-9F			
3	304354001	BASE – ROTARY CUTTER-9C	12	386032	BOLT – 3/4" X 3.25"			
4	304355001	BASE – ROTARY CUTTER-9D	13	386040	BOLT – 3/4" X 4.00"			
			14	85979001	WASHER – FLAT HARD			
			16	398001	NUT, SLTL 3/4"			



Picture shows widest cut, narrower cut bases and setups will look different. Refer to part number of base in width of cut section.

* INDICATES PART NUMBERS WITH HEAVY DUTY KNUCKLE CHAIN

4501 ROTARY WITH 1" BLOCKS

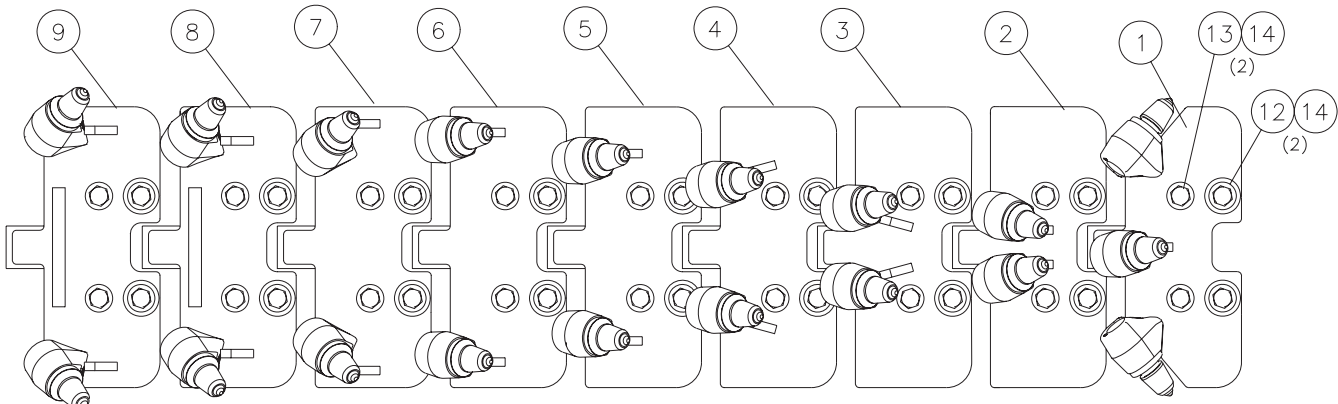
Mounting pattern for boom length is available upon request

14" Wide Cut Bases

NO.	PART NO.	DESCRIPTION	NO.	PART NO.	DESCRIPTION
	4501KR140626	*4501AR140626		*4501HR140626	
	4501KR140686	*4501AR140686		*4501HR140686	
	4501KR140746	*4501AR140746		*4501HR140746	
	4501KR140866	*4501AR140866		*4501HR140866	
1	304641001	BASE – ROTARY CUTTER-24A	6	304646001	BASE – ROTARY CUTTER-24F
2	304642001	BASE – ROTARY CUTTER-24B	7	304647001	BASE – ROTARY CUTTER 24G
3	304643001	BASE – ROTARY CUTTER-24C	12	386032	BOLT – 3/4" X 3.25"
4	304644001	BASE – ROTARY CUTTER-24D	13	386040	BOLT – 3/4" X 4.00"
5	304645001	BASE – ROTARY CUTTER-24E	14	85979001	WASHER – 3/4" FLAT HARD
			16	398001	NUT, SLTL 3/4"

18" Wide Cut Bases

NO.	PART NO.	DESCRIPTION	NO.	PART NO.	DESCRIPTION
	4501KR180626	*4501AR180626		*4501HR180626	
	4501KR180686	*4501AR180686		*4501HR180686	
	4501KR180746	*4501AR180746		*4501HR180746	
	4501KR180866	*4501AR180866		*4501HR180866	
1	304648001	BASE – ROTARY CUTTER-25A	7	304654001	BASE – ROTARY CUTTER 25G
2	304649001	BASE – ROTARY CUTTER-25B	8	304655001	BASE – ROTARY CUTTER 25H
3	304650001	BASE – ROTARY CUTTER-25C	9	304656001	BASE – ROTARY CUTTER 25I
4	304651001	BASE – ROTARY CUTTER-25D	12	386032	BOLT – 3/4" X 3.25"
5	304652001	BASE – ROTARY CUTTER-25E	13	386040	BOLT – 3/4" X 4.00"
6	304653001	BASE – ROTARY CUTTER-25F	14	85979001	WASHER – 3/4" FLAT HARD
			16	398001	NUT, SLTL 3/4"



Picture shows widest cut, narrower cut bases and setups will look different. Refer to part number of base in width of cut section.

* INDICATES PART NUMBERS WITH HEAVY DUTY KNUCKLE CHAIN

4502K ROTARY WITH 1" BLOCKS

Mounting pattern for boom length
available upon request

16" Wide Cut Bases

4502KR160746
4502KR160866

NO.	PART NO.	DESCRIPTION
1	304152001	BASE-ROTARY 3A
2	304153001	BASE-ROTARY 3B
3	304154001	BASE-ROTARY 3C
4	304155001	BASE-ROTARY 3D
5	304156001	BASE-ROTARY 3E
6	304157001	BASE-ROTARY 3F
7	304158001	BASE-ROTARY 3G
8	304159001	BASE-ROTARY 3H
12	386032	BOLT, 3/4"-16 X 3.25"
16	398001	NUT, SLTL 3/4"-16
17	386040	BOLT, 3/4-16X4"
18	85979001	WASHER-3/4"HARDEN

18" Wide Cut Bases

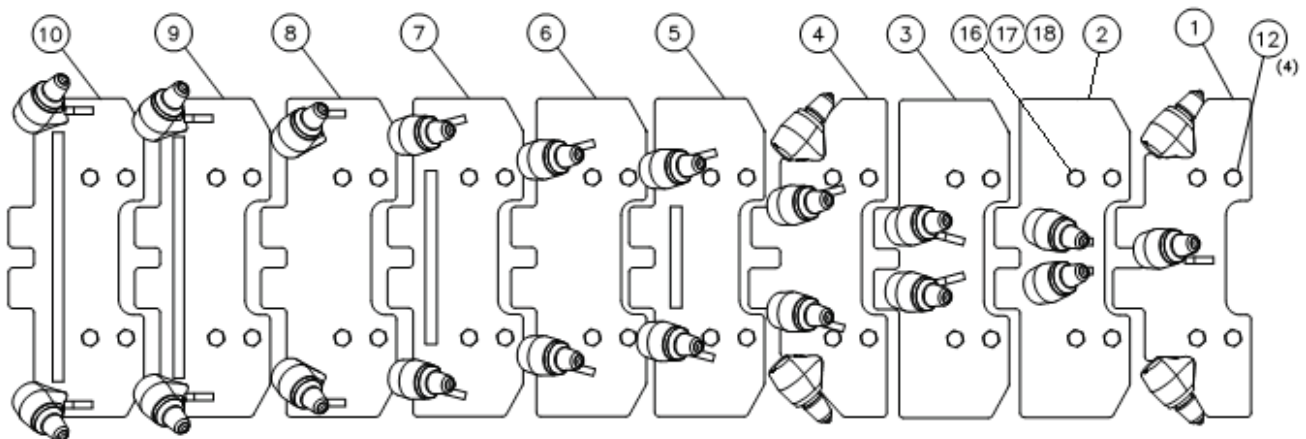
4502KR180746
4502KR180866

NO.	PART NO.	DESCRIPTION
1	304042001	BASE-ROTARY 1A
2	304043001	BASE-ROTARY 1B
3	304083001	BASE-ROTARY 1C
4	304084001	BASE-ROTARY 1D
5	304085001	BASE-ROTARY 1E
6	304086001	BASE-ROTARY 1F
7	30408701	BASE-ROTARY 1G
8	304088001	BASE-ROTARY 1H
12	386032	BOLT, 3/4"-16 X 3.25"
16	398001	NUT, SLTL 3/4"-16
17	386040	BOLT, 3/4-16X4"
18	85979001	WASHER-3/4"HARDEN

24" Wide Cut Bases

4502KR240746
4502KR240866

NO.	PART NO.	DESCRIPTION
1	304316001	BASE-ROTARY 2A
2	304317001	BASE-ROTARY 2B
3	304318001	BASE-ROTARY 2C
4	304319001	BASE-ROTARY 2D
5	304320001	BASE-ROTARY 2E
6	304321001	BASE-ROTARY 2F
7	304322001	BASE-ROTARY 2G
8	304323001	BASE-ROTARY 2H
9	304324001	BASE-ROTARY 2I
10	304325001	BASE-ROTARY 2J
12	386032	BOLT, 3/4"-16 X 3.25"
16	398001	NUT, SLTL 3/4"-16
17	386026	BOLT-3/4"-16X2.75"
18	85979001	WASHER-3/4"HARDEN



Picture shows widest cut, narrower cut bases and setups will look different. Refer to part number of base in width of cut section.

T655DT, T655II
& T655III
Section

4501 CUP FULL

Mounting pattern for boom length
available upon request

10.5" Wide Cut Bases

4501KC100624 *4501HC100624
4501KC100684 *4501HC100684
4501KC100744 *4501HC100744
4501KC100864 *4501HC100864

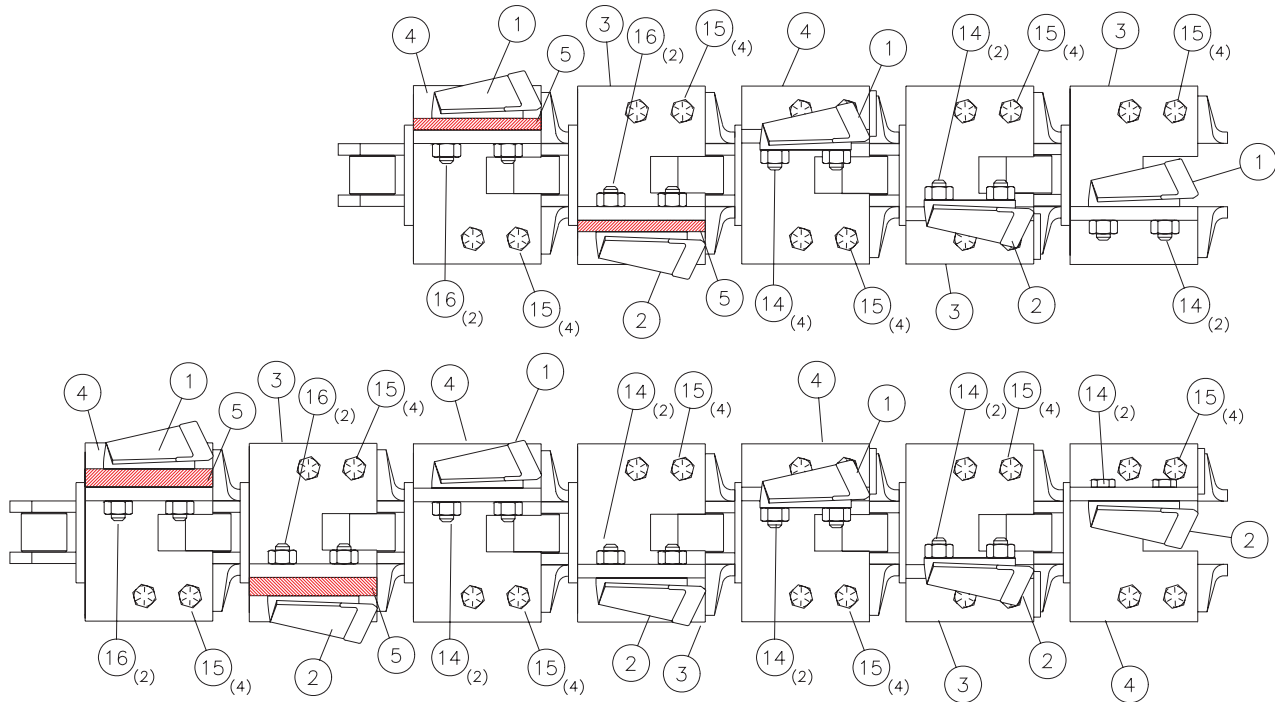
NO.	PART NO.	DESCRIPTION	NO.	PART NO.	DESCRIPTION
1	633298001	CUP CUTTER, 7" LH	14	386022	BOLT, 3/4" NF X 2.25"
2	633297001	CUP CUTTER, 7" RH	15	386024	BOLT, 3/4" NF X 2.50"
3	46855001	BASE - RIGHT CUTTER	16	386026	BOLT, 3/4" NF X 2.75"
4	46856001	BASE - LEFT CUTTER	17	398001	NUT, SLTL 3/4" NF
5	304169001	SPACER - CUTTER			

12" Wide Cut Bases

4501KC120624 *4501HC120624
4501KC120684 *4501HC120684
4501KC120744 *4501HC120744
4501KC120864 *4501HC120864

NO.	PART NO.	DESCRIPTION	NO.	PART NO.	DESCRIPTION
1	633298001	CUP CUTTER, 7" LH	14	386022	BOLT, 3/4" NF X 2.25"
2	633297001	CUP CUTTER, 7" RH	15	386024	BOLT, 3/4" NF X 2.50"
3	46855001	BASE - RIGHT CUTTER	16	386030	BOLT, 3/4" NF X 3.00"
4	46856001	BASE - LEFT CUTTER	17	398001	NUT, SLTL 3/4" NF
5	46857001	SPACER - CUTTER			

10.5" CUT



12" CUT

* INDICATES PART NUMBERS WITH HEAVY DUTY KNUCKLE CHAIN

4501 CUP FULL

Mounting pattern for boom length
available upon request

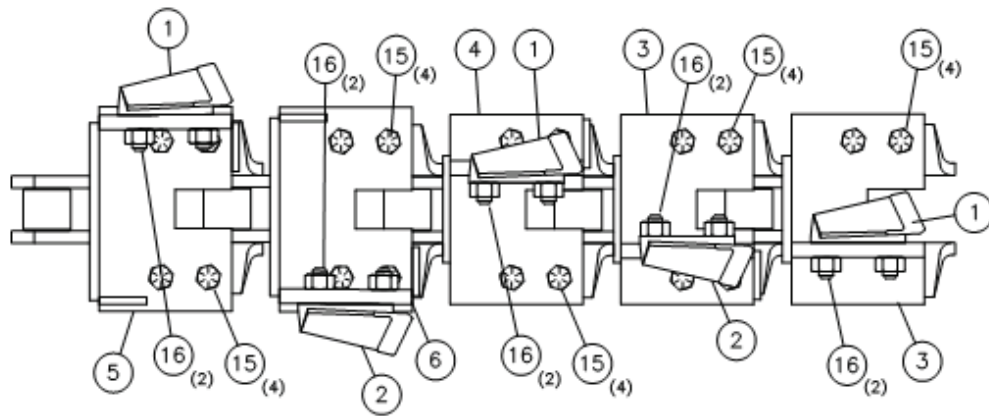
14" Wide Cut Bases

		4501KC140624	*4501HC140624		
		4501KC140684	*4501HC140684		
		4501KC140744	*4501HC140744		
		4501KC140864	*4501HC140864		
NO.	PART NO.	DESCRIPTION	NO.	PART NO.	DESCRIPTION
1	633298001	CUP CUTTER, 7" LH	5	304161001	BASE – LEFT CUTTER
2	633297001	CUP CUTTER, 7" RH	6	304162001	BASE – RIGHT CUTTER
3	46855001	BASE – RIGHT CUTTER	15	386024	BOLT, 3/4" NF X 2.50"
4	46856001	BASE – LEFT CUTTER	16	386022	BOLT, 3/4" NF X 2.25"
			17	398001	NUT, SLTL 3/4" NF

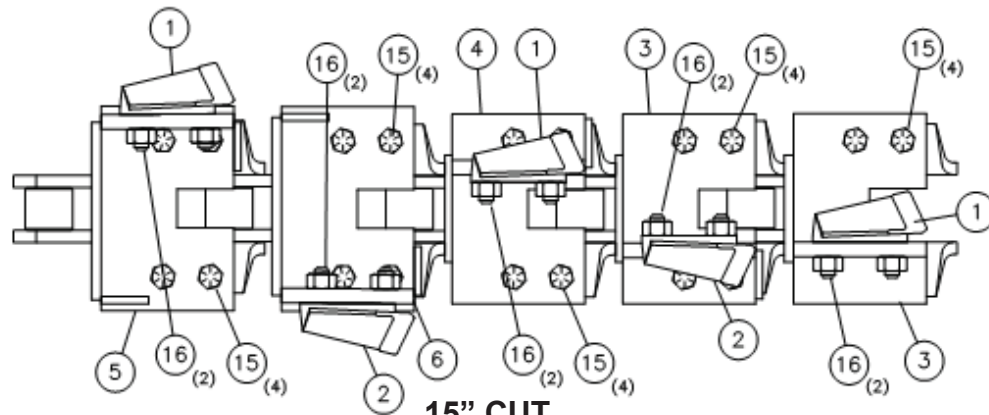
15" Wide Cut Bases

		*4501KC150746			
NO.	PART NO.	DESCRIPTION	NO.	PART NO.	DESCRIPTION
1	264817001	CUP CUTTER, 8" LH	5	304161001	BASE – LEFT CUTTER
2	264818001	CUP CUTTER, 8" RH	6	304162001	BASE – RIGHT CUTTER
3	46855001	BASE – RIGHT CUTTER	15	386024	BOLT, 3/4" NF X 2.50"
4	46856001	BASE – LEFT CUTTER	16	386022	BOLT, 3/4" NF X 2.25"
			17	398001	NUT, SLTL 3/4" NF

14" CUT



15" CUT



* INDICATES PART NUMBERS WITH HEAVY DUTY KNUCKLE CHAIN

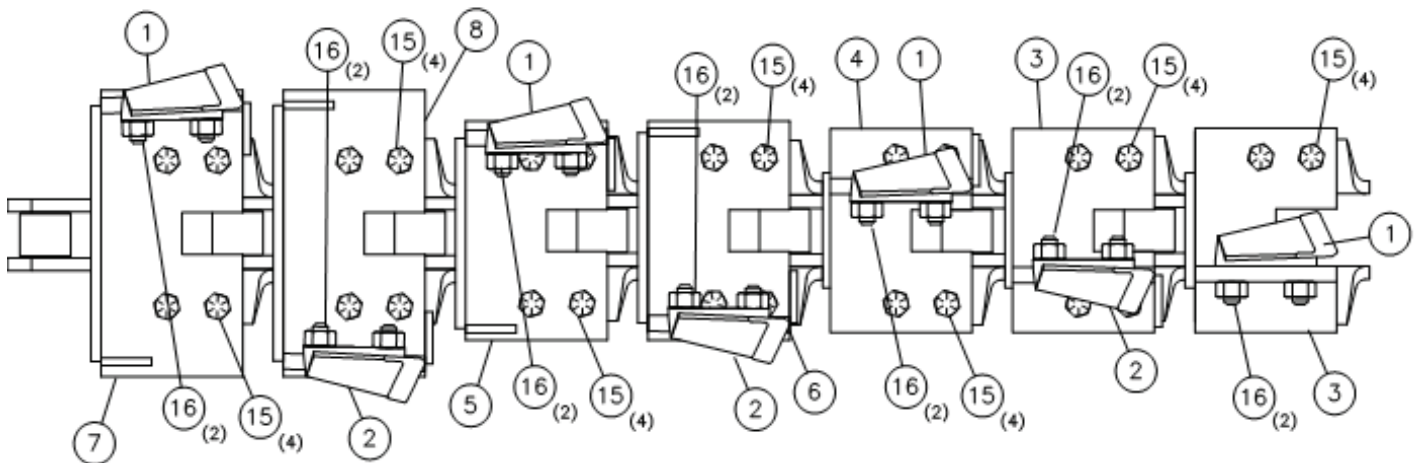
4501 CUP FULL

Mounting pattern for boom length
available upon request

16" Wide Cut Bases

4501KC160624	*4501HC160624
4501KC160684	*4501HC160684
4501KC160744	*4501HC160744
4501KC160864	*4501HC160864

NO.	PART NO.	DESCRIPTION	NO.	PART NO.	DESCRIPTION
1	633298001	CUP CUTTER, 7" LH	7	304163001	BASE – LEFT CUTTER
2	633297001	CUP CUTTER, 7" RH	8	304164001	BASE – RIGHT CUTTER
3	46855001	BASE – RIGHT CUTTER	15	386024	BOLT, 3/4" NF X 2.50"
4	46856001	BASE – LEFT CUTTER	16	386022	BOLT, 3/4" NF X 2.25"
5	304161001	BASE – LEFT CUTTER	17	398001	NUT, SLTL 3/4" NF
6	304162001	BASE – RIGHT CUTTER			



16" CUT

* INDICATES PART NUMBERS WITH HEAVY DUTY KNUCKLE CHAIN

4501 CUP FULL

Mounting pattern for boom length
available upon request

18" Wide Cut Bases

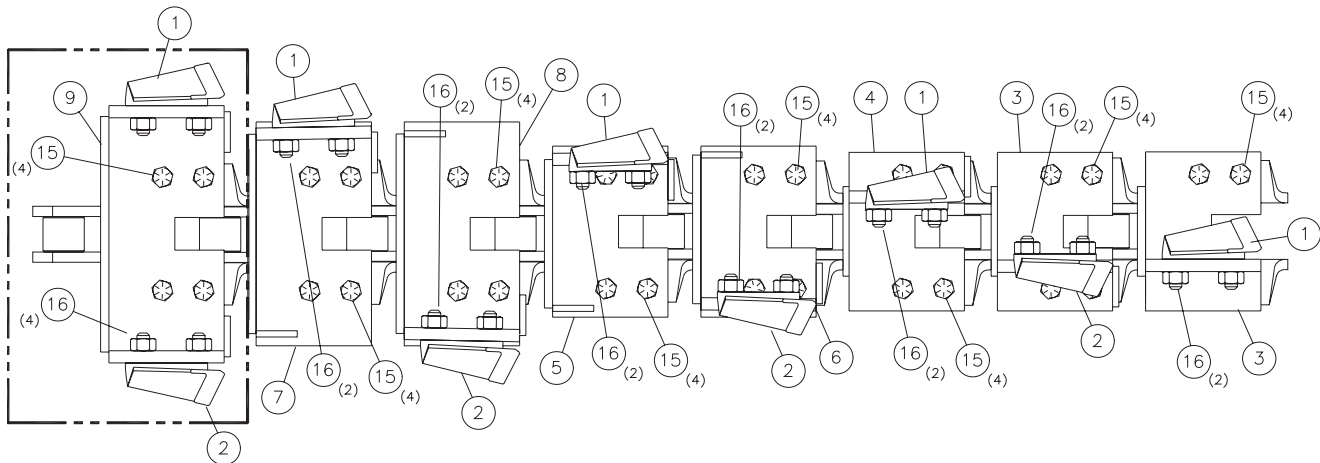
4501KC180624	*4501HC180624
4501KC180684	*4501HC180684
4501KC180744	*4501HC180744
4501KC180864	*4501HC180864

NO.	PART NO.	DESCRIPTION	NO.	PART NO.	DESCRIPTION
1	633298001	CUP CUTTER, 7" LH	7	304163001	BASE – LEFT CUTTER
2	633297001	CUP CUTTER, 7" RH	8	304164001	BASE – RIGHT CUTTER
3	46855001	BASE – RIGHT CUTTER	15	386024	BOLT, 3/4" NF X 2.50"
4	46856001	BASE – LEFT CUTTER	16	386022	BOLT, 3/4" NF X 2.25"
5	304161001	BASE – LEFT CUTTER	17	398001	NUT, SLTL 3/4" NF
6	304162001	BASE – RIGHT CUTTER			

20" Wide Cut Bases

4501KC200624	*4501HC200624
4501KC200684	*4501HC200684
4501KC200744	*4501HC200744
4501KC200864	*4501HC200864

NO.	PART NO.	DESCRIPTION	NO.	PART NO.	DESCRIPTION
1	633298001	CUP CUTTER, 7" LH	7	304163001	BASE – LEFT CUTTER
2	633297001	CUP CUTTER, 7" RH	8	304164001	BASE – RIGHT CUTTER
3	46855001	BASE – RIGHT CUTTER	9	46859001	BASE – 18/20 DBL CUTTER
4	46856001	BASE – LEFT CUTTER	15	386024	BOLT, 3/4" NF X 2.50"
5	304161001	BASE – LEFT CUTTER	16	386022	BOLT, 3/4" NF X 2.25"
6	304162001	BASE – RIGHT CUTTER	17	398001	NUT, SLTL 3/4" NF



20" CUTTER SETUP

* INDICATES PART NUMBERS WITH HEAVY DUTY KNUCKLE

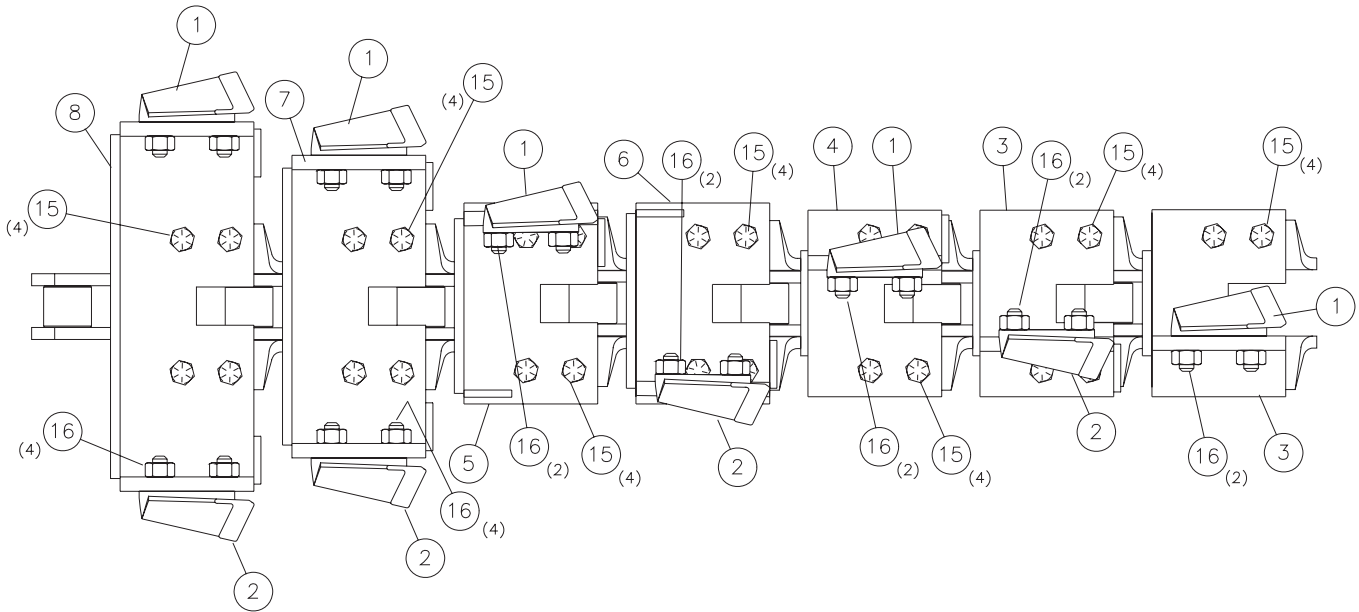
4501 CUP FULL

Mounting pattern for boom length
available upon request

24" Wide Cut Bases

4501KC240624	*4501HC240624
4501KC240684	*4501HC240684
4501KC240744	*4501HC240744
4501KC240864	*4501HC240864

NO.	PART NO.	DESCRIPTION	NO.	PART NO.	DESCRIPTION
1	633298001	CUP CUTTER, 7" LH	7	46859001	BASE – 18/20 DBL CUTTER
2	633297001	CUP CUTTER, 7" RH	8	46860001	BASE – 24 DBL CUTTER
3	46855001	BASE – RIGHT CUTTER	15	386024	BOLT, 3/4" NF X 2.50"
4	46856001	BASE – LEFT CUTTER	16	386022	BOLT, 3/4" NF X 2.25"
5	304161001	BASE – LEFT CUTTER	17	398001	NUT, SLTL 3/4" NF
6	304162001	BASE – RIGHT CUTTER			



* INDICATES PART NUMBERS WITH HEAVY DUTY KNUCKLE

4501 ROTARY WITH 1" BLOCKS

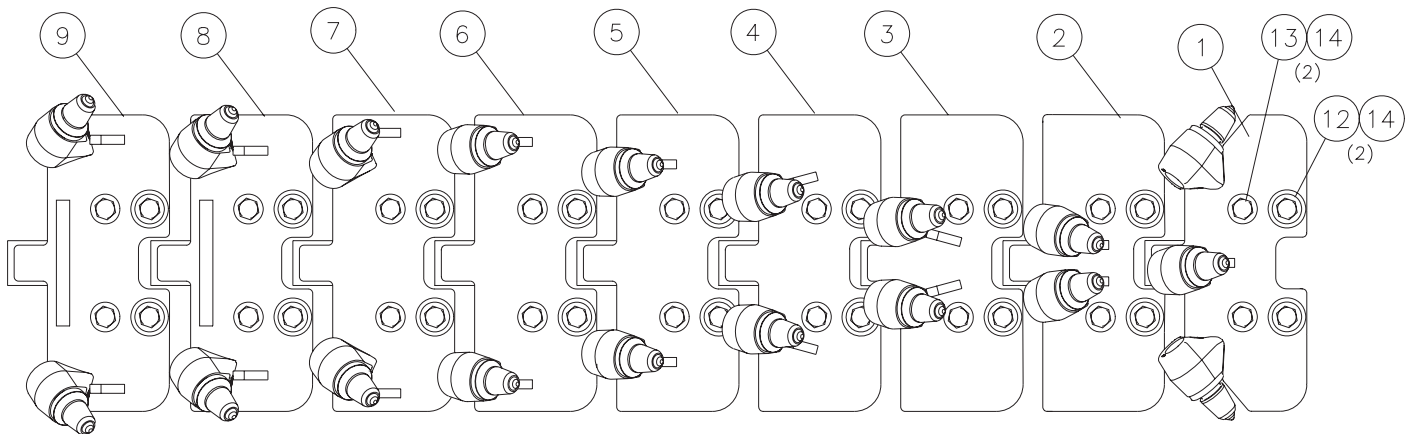
Mounting pattern for boom length available upon request

10.5" Wide Cut Bases

4501KR100626			*4501AR105626			*4501HR100626		
4501KR100686			*4501AR105686			*4501HR100686		
4501KR100746			*4501AR105746			*4501HR100746		
NO.	PART NO.	DESCRIPTION	NO.	PART NO.	DESCRIPTION			
1	304333001	BASE – ROTARY CUTTER 2A	5	304337001	BASE – ROTARY CUTTER 2E			
2	304334001	BASE – ROTARY CUTTER 2B	6	304338001	BASE – ROTARY CUTTER 2F			
3	304335001	BASE – ROTARY CUTTER 2C	12	386032	BOLT – 3/4" X 3.25"			
4	304336001	BASE – ROTARY CUTTER 2D	13	386040	BOLT – 3/4" X 4.00"			
			14	85979001	WASHER – FLAT HARD			
			16	398001	NUT – SLTL 3/4" NF			

12" Wide Cut Bases

4501KR120626			*4501AR120626			*4501HR120626		
4501KR120686			*4501AR120686			*4501HR120686		
4501KR120746			*4501AR120746			*4501HR120746		
NO.	PART NO.	DESCRIPTION	NO.	PART NO.	DESCRIPTION			
1	304352001	BASE – ROTARY CUTTER-9A	5	304356001	BASE – ROTARY CUTTER-9E			
2	304353001	BASE – ROTARY CUTTER-9B	6	304357001	BASE – ROTARY CUTTER-9F			
3	304354001	BASE – ROTARY CUTTER-9C	12	386032	BOLT – 3/4" X 3.25"			
4	304355001	BASE – ROTARY CUTTER-9D	13	386040	BOLT – 3/4" X 4.00"			
			14	85979001	WASHER – FLAT HARD			
			16	398001	NUT, SLTL 3/4"			



Picture shows widest cut, narrower cut bases and setups will look different. Refer to part number of base in width of cut section.

* INDICATES PART NUMBERS WITH HEAVY DUTY KNUCKLE CHAIN

4501 ROTARY WITH 1" BLOCKS

Mounting pattern for boom length is available upon request

14" Wide Cut Bases

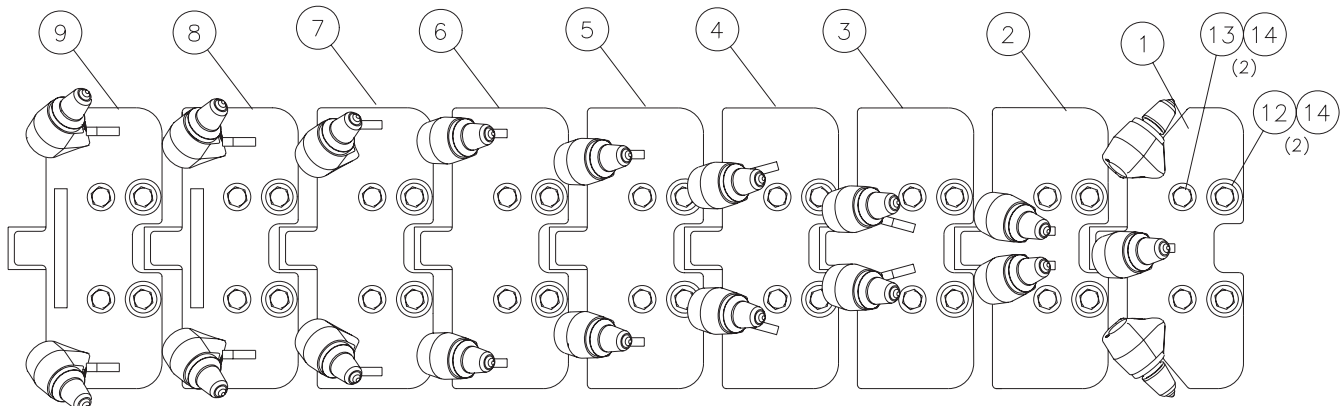
4501KR140626	*4501AR140626	*4501HR140626
4501KR140686	*4501AR140686	*4501HR140686
4501KR140746	*4501AR140746	*4501HR140746
4501KR140866	*4501AR140866	*4501HR140866

NO.	PART NO.	DESCRIPTION	NO.	PART NO.	DESCRIPTION
1	304641001	BASE – ROTARY CUTTER-24A	6	304646001	BASE – ROTARY CUTTER-24F
2	304642001	BASE – ROTARY CUTTER-24B	7	304647001	BASE – ROTARY CUTTER 24G
3	304643001	BASE – ROTARY CUTTER-24C	12	386032	BOLT – 3/4" X 3.25"
4	304644001	BASE – ROTARY CUTTER-24D	13	386040	BOLT – 3/4" X 4.00"
5	304645001	BASE – ROTARY CUTTER-24E	14	85979001	WASHER – 3/4" FLAT HARD
			16	398001	NUT, SLTL 3/4"

18" Wide Cut Bases

4501KR180626	*4501AR180626	*4501HR180626
4501KR180686	*4501AR180686	*4501HR180686
4501KR180746	*4501AR180746	*4501HR180746
4501KR180866	*4501AR180866	*4501HR180866

NO.	PART NO.	DESCRIPTION	NO.	PART NO.	DESCRIPTION
1	304648001	BASE – ROTARY CUTTER-25A	7	304654001	BASE – ROTARY CUTTER 25G
2	304649001	BASE – ROTARY CUTTER-25B	8	304655001	BASE – ROTARY CUTTER 25H
3	304650001	BASE – ROTARY CUTTER-25C	9	304656001	BASE – ROTARY CUTTER 25I
4	304651001	BASE – ROTARY CUTTER-25D	12	386032	BOLT – 3/4" X 3.25"
5	304652001	BASE – ROTARY CUTTER-25E	13	386040	BOLT – 3/4" X 4.00"
6	304653001	BASE – ROTARY CUTTER-25F	14	85979001	WASHER – 3/4" FLAT HARD
			16	398001	NUT, SLTL 3/4"



Picture shows widest cut, narrower cut bases and setups will look different. Refer to part number of base in width of cut section.

* INDICATES PART NUMBERS WITH HEAVY DUTY KNUCKLE CHAIN

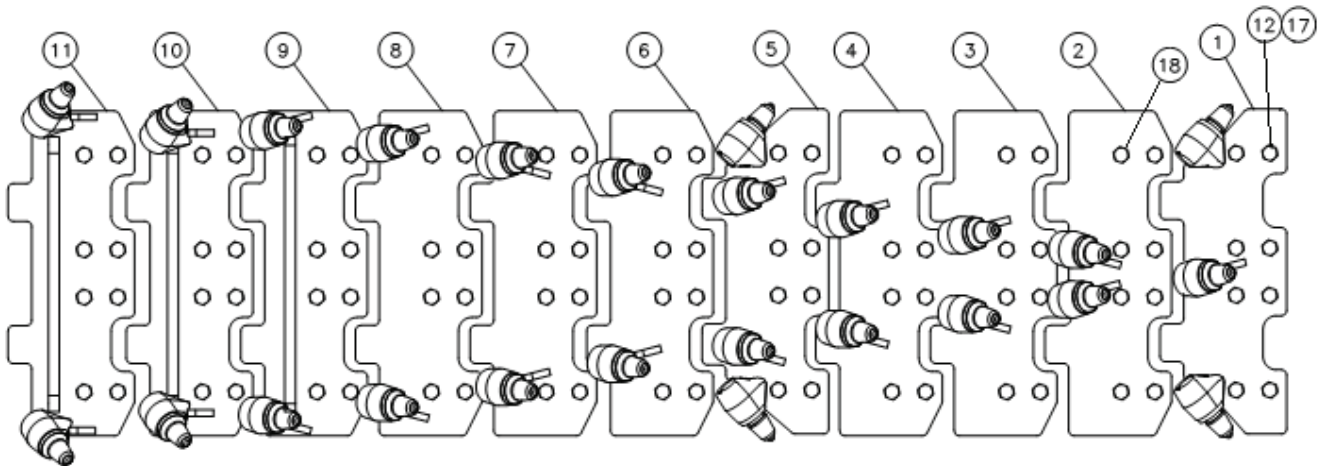
4501 ROTARY DOUBLE CHAIN

WITH 1" BLOCKS

Mounting pattern for boom length
available upon request

26" Wide Cut Bases

NO.	PART NO.	DESCRIPTION	NO.	PART NO.	DESCRIPTION
		4501KR260624			*4501HR260624
		4501KR260744			*4501HR260744
		4501KR260864			*4501HR260864
1	123414001	BASE – ROTARY CUTTER 1A	8	123421001	BASE – ROTARY CUTTER 1H
2	123415001	BASE – ROTARY CUTTER 1B	9	123422001	BASE – ROTARY CUTTER 1I
3	123416001	BASE – ROTARY CUTTER 1C	10	123423001	BASE – ROTARY CUTTER 1J
4	123417001	BASE – ROTARY CUTTER 1D	11	123424001	BASE – ROTARY CUTTER 1K
5	123418001	BASE – ROTARY CUTTER 1E	12	386026	BOLT - 3/4" X 2.75 "
6	123419001	BASE – ROTARY CUTTER 1F	16	398001	NUT, SLTL 3/4"
7	123420001	BASE – ROTARY CUTTER 1G	17	85979001	WASHER-3/4"HARDEN
			18	386032	BOLT-3/4-16X3 1/4



* INDICATES PART NUMBERS WITH HEAVY DUTY KNUCKLE CHAIN

4502K ROTARY WITH 1" BLOCKS

Mounting pattern for boom length
available upon request

16" Wide Cut Bases

4502KR160746
4502KR160866

NO.	PART NO.	DESCRIPTION
1	304152001	BASE-ROTARY 3A
2	304153001	BASE-ROTARY 3B
3	304154001	BASE-ROTARY 3C
4	304155001	BASE-ROTARY 3D
5	304156001	BASE-ROTARY 3E
6	304157001	BASE-ROTARY 3F
7	304158001	BASE-ROTARY 3G
8	304159001	BASE-ROTARY 3H
12	386032	BOLT, 3/4"-16 X 3.25"
16	398001	NUT, SLTL 3/4"-16
17	386040	BOLT-3/4-16 X 4.00

18" Wide Cut Bases

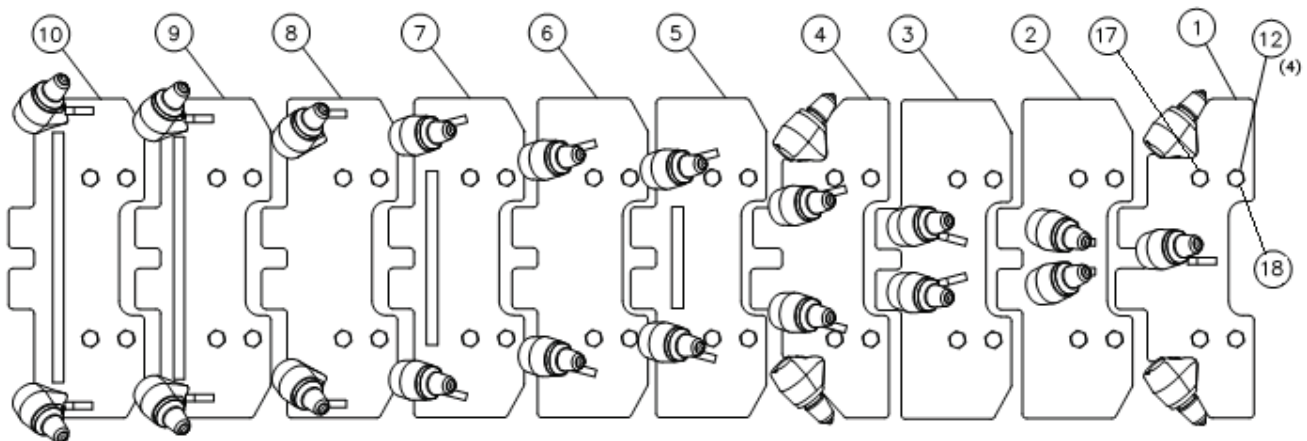
4502KR180746
4502KR180866

NO.	PART NO.	DESCRIPTION
1	304042001	BASE-ROTARY 1A
2	304043001	BASE-ROTARY 1B
3	304083001	BASE-ROTARY 1C
4	304084001	BASE-ROTARY 1D
5	304085001	BASE-ROTARY 1E
6	304086001	BASE-ROTARY 1F
7	30408701	BASE-ROTARY 1G
8	304088001	BASE-ROTARY 1H
12	386032	BOLT, 3/4"-16 X 3.25"
16	398001	NUT, SLTL 3/4"-16
17	386040	BOLT-3/4-16 X 4.00
18	85979001	WASHER-3/4"HARDEN

24" Wide Cut Bases

4502KR240746
4502KR240866

NO.	PART NO.	DESCRIPTION
1	304316001	BASE-ROTARY 2A
2	304317001	BASE-ROTARY 2B
3	304318001	BASE-ROTARY 2C
4	304319001	BASE-ROTARY 2D
5	304320001	BASE-ROTARY 2E
6	304321001	BASE-ROTARY 2F
7	304322001	BASE-ROTARY 2G
8	304323001	BASE-ROTARY 2H
9	304324001	BASE-ROTARY 2I
10	304325001	BASE-ROTARY 2J
12	386026	BOLT, 3/4"-16 X 2.75"
16	398001	NUT, SLTL 3/4"-16
17	386032	BOLT-3/4-16X3.25
18	85979001	WASHER-3/4"HARDEN



Picture shows widest cut, narrower cut bases and setups will look different. Refer to part number of base in width of cut section.