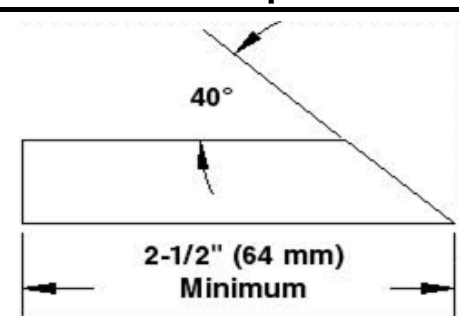
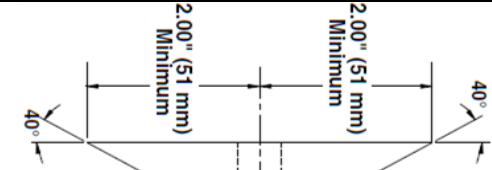
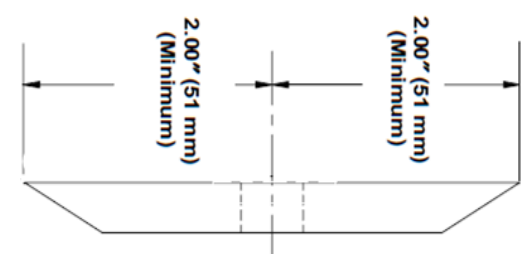
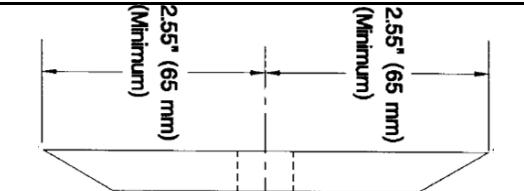


Knife Edge Measurements

Disk 40° Edge

Model	Center of Bolt to edge of knife		Part #	Example
	New	Min. Spec.		
BC600XL	3.50	2.50	90387001	
BC606	3.50	2.50	90387001	
BC625 / 625A	3.50	2.50	90387001	
BC906	3.50	2.50	101175001	
BC935	3.50	2.50	101175001	
BC1230	3.50	2.50	79511001	
BC1230A	3.50	2.50	79511001	
BC1250	3.50	2.50	79511001	
BC1250A	3.50	2.50	79511001	
BC230XL	2.50	2.00	163674098	
BC900XL	2.50	2.00	163674098	

Drum 30° Edge

BC1000	2.25	2.00	153175001	
BC1000XL	2.25	2.00	153175001	
BC1200XL	2.25	2.00	153175001	
BC1400	2.50	2.00	156811001	
BC1500	2.50	2.00	156811001	
BC1800XL	2.50	2.00	157697001	
BC200XL	2.50	2.00	157697001	
BC2100XL	2.50	2.00	163642546	
BC1800	2.75	2.55	154390001	
BC1800A	2.75	2.55	154390001	
BC2000	2.75	2.55	154390001	
WC2300 double edge	3.00	2.50	163680022	See below
WC2300 (Babbitted)	6.00	4.88	163680032	

