

T555
SECTION

7600M CUP FULL

Mounting pattern for boom length
available upon request

6" Wide Cut

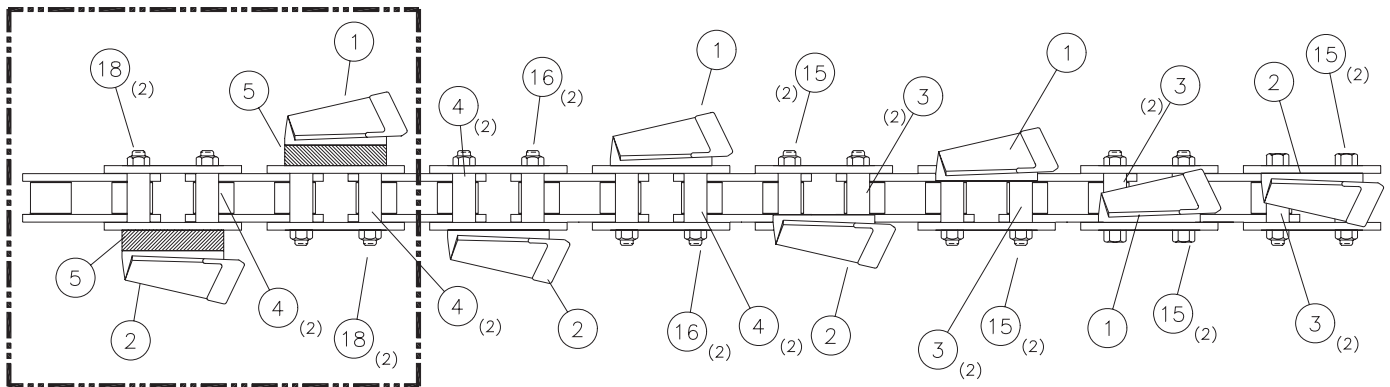
7600SCF06062
7600SCF06076
7600SCF06090

NO.	PART NO.	DESCRIPTION
1	253833001	CUP, CUTTER, LH
2	253834001	CUP, CUTTER, RH
3	253516001	SPACER, TUBE 2.031"
4	253518001	SPACER, TUBE 2.406"
15	384040	BOLT, 5/8 - 18 x 4.00"
16	384042	BOLT, 5/8 - 18 x 4.25"
19	396001	NUT, SLTL 5/8 - 18

8" Wide Cut

7600SCF08062
7600SCF08076
7600SCF08090

NO.	PART NO.	DESCRIPTION
1	253833001	CUP, CUTTER, LH
2	253834001	CUP, CUTTER, RH
3	253516001	SPACER, TUBE 2.031"
4	253518001	SPACER, TUBE 2.406"
5	15659001	SPACER, BAR 1"
15	384040	BOLT, 5/8 - 18 x 4.00"
16	384042	BOLT, 5/8 - 18 x 4.25"
18	384054	BOLT, 5/8 - 18 x 5.50"
19	396001	NUT, SLTL 5/8 - 18



8" CUTTER SETUP

7600M ROTARY

Mounting pattern for boom length
available upon request

6" Wide Cut

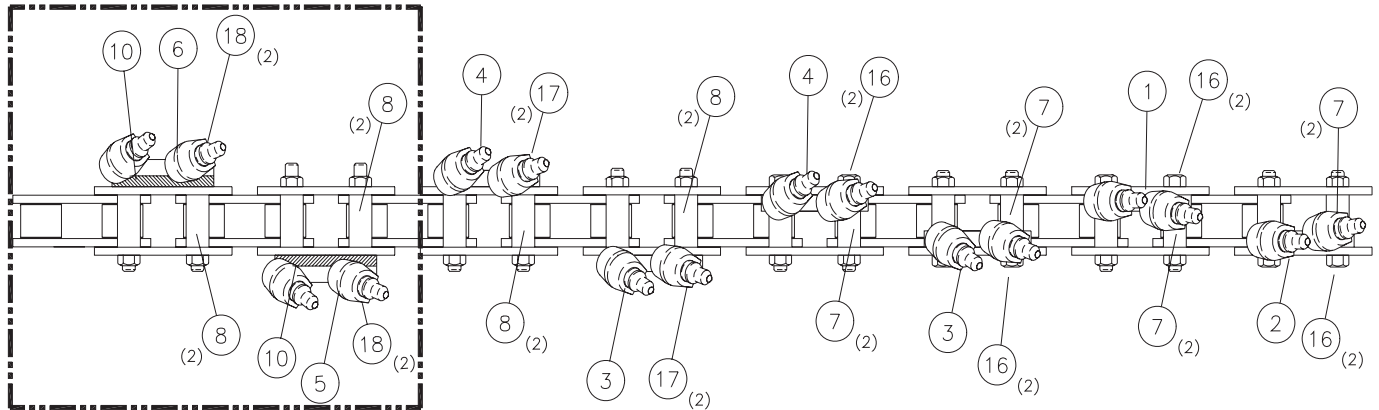
7600SRF06062
7600SRF06076
7600SRF06090

NO.	PART NO.	DESCRIPTION
1	19833001	ROTARY BASE "ME"
2	19833002	ROTARY BASE "MF"
3	19835001	ROTARY BASE "MD"
4	19835002	ROTARY BASE "MC"
5	19836001	ROTARY BASE "MB"
6	19836002	ROTARY BASE "MA"
7	260411001	SPACER, TUBE 1.656"
8	253518001	SPACER, TUBE 2.406"
16	384040	BOLT, 5/8 - 18 x 4.00"
17	384046	BOLT, 5/8 - 18 x 4.75"
20	396001	NUT, SLTL 5/8 - 18

8" Wide Cut

7600SRF08062
7600SRF08076
7600SRF08090

NO.	PART NO.	DESCRIPTION
1	19833001	ROTARY BASE "ME"
2	19833002	ROTARY BASE "MF"
3	19835001	ROTARY BASE "MD"
4	19835002	ROTARY BASE "MC"
5	19836001	ROTARY BASE "MB"
6	19836002	ROTARY BASE "MA"
7	260411001	SPACER, TUBE 1.656"
8	253518001	SPACER, TUBE 2.406"
10	19840001	SPACER, BAR 1/2"
16	384040	BOLT, 5/8 - 18 x 4.00"
17	384046	BOLT, 5/8 - 18 x 4.75"
18	384054	BOLT, 5/8 - 18 x 5.50"
20	396001	NUT, SLTL 5/8 - 18



8" CUTTER SETUP

7600K CUP FULL

Mounting pattern for boom length
available upon request

10" Wide Cut Bases

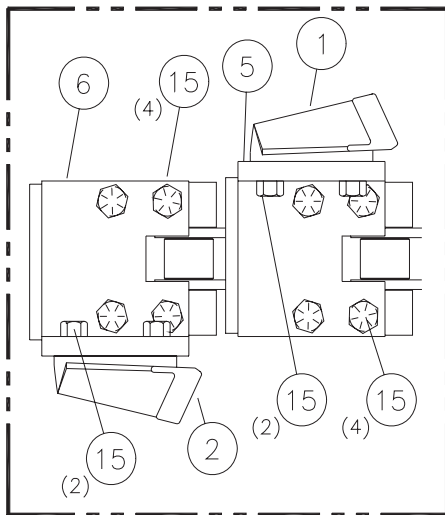
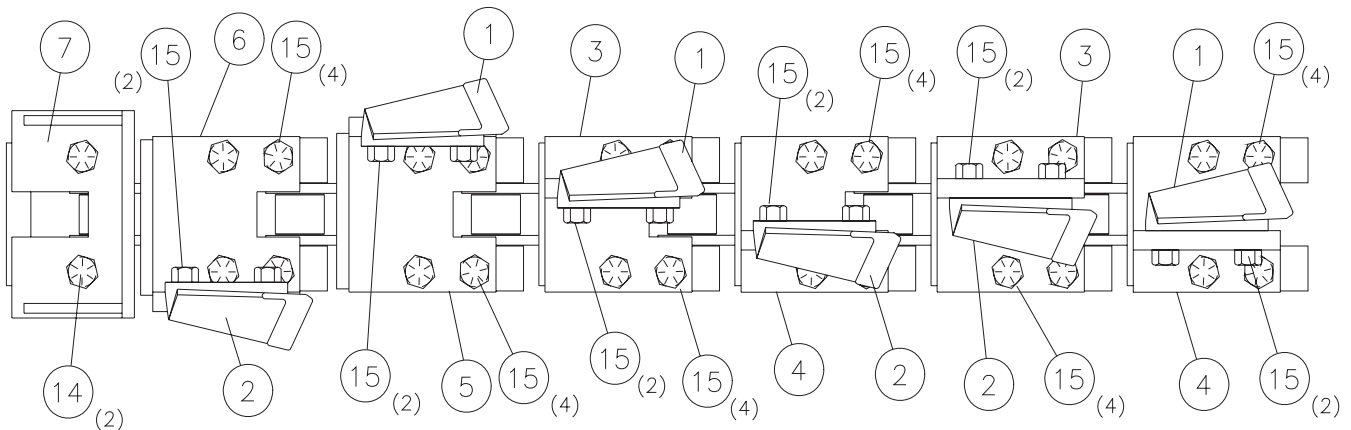
7600KC100625
7600KC100765
7600KC100905

NO.	PART NO.	DESCRIPTION
1	253833001	CUP CUTTER, 6" LH
2	253834001	CUP CUTTER, 6" RH
3	36834001	BASE - 6" LH
4	36834002	BASE - 6" RH
5	36836001	BASE - 10" LH
6	36836002	BASE - 10" RH
7	36839001	DRAG 10"
14	384014	BOLT, 5/8"-18 X 1.50"
15	384016	BOLT, 5/8"-18 X 1.75"
16	396001	NUT, SLTL 5/8" -18

12" Wide Cut Bases

7600KC120625
7600KC120765
7600KC120905

NO.	PART NO.	DESCRIPTION
1	253833001	CUP CUTTER, 6" LH
2	253834001	CUP CUTTER, 6" RH
3	36834001	BASE - 6" LH
4	36834002	BASE - 6" RH
5	36836001	BASE - 10" LH
6	36836002	BASE - 10" RH
7	36839001	DRAG 10"
14	384014	BOLT, 5/8"-18 X 1.50"
15	384016	BOLT, 5/8"-18 X 1.75"
16	396001	NUT, SLTL 5/8" -18



For 12" cut remove cup cutters from
inside of the mounting bars and place
on the outside.

7600K CUP FULL

Mounting pattern for boom length
available upon request

14" Wide Cut Bases

7600KC140625
7600KC140765
7600KC140905

NO.	PART NO.	DESCRIPTION
1	253833001	CUP CUTTER, 6" LH
2	253834001	CUP CUTTER, 6" RH
3	36834001	BASE - 6" LH
4	36834002	BASE - 6" RH
5	36836001	BASE - 10" LH
6	36836002	BASE - 10" RH
7	36837001	BASE - 14" DBL CUT
10	36840001	DRAG 14"
14	384014	BOLT, 5/8"-18 X 1.50"
15	384016	BOLT, 5/8"-18 X 1.75"
16	396001	NUT, SLTL 5/8" -18

18" Wide Cut Bases

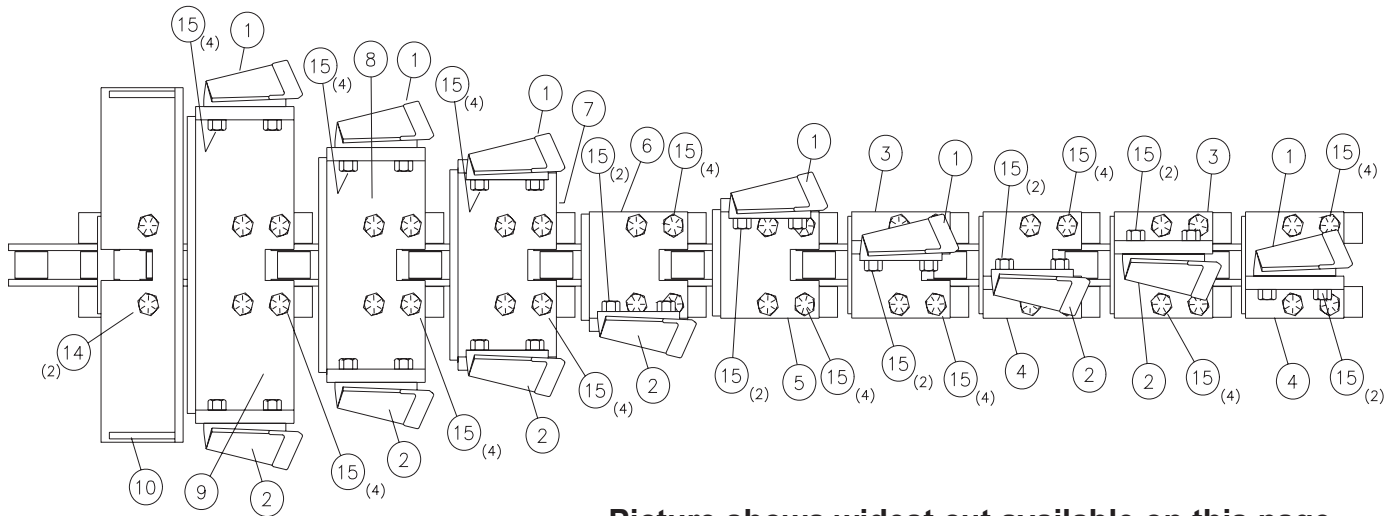
7600KC180625
7600KC180765
7600KC180905

NO.	PART NO.	DESCRIPTION
1	253833001	CUP CUTTER, 6" LH
2	253834001	CUP CUTTER, 6" RH
3	36834001	BASE - 6" LH
4	36834002	BASE - 6" RH
5	36836001	BASE - 10" LH
6	36836002	BASE - 10" RH
7	36837001	BASE - 14" DBL CUT
8	47901001	BASE - 18" DBL CUT
10	36841001	DRAG 18"
14	384014	BOLT, 5/8"-18 X 1.50"
15	384016	BOLT, 5/8"-18 X 1.75"
16	396001	NUT, SLTL 5/8" -18

24" Wide Cut Bases

7600KC240765
7600KC240905

NO.	PART NO.	DESCRIPTION	NO.	PART NO.	DESCRIPTION
1	253833001	CUP CUTTER, 6" LH	8	47901001	BASE - 18" DBL CUT
2	253834001	CUP CUTTER, 6" RH	9	47902001	BASE - 24" DBL CUT
3	36834001	BASE - 6" LH	10	36843001	DRAG 24"
4	36834002	BASE - 6" RH			
5	36836001	BASE - 10" LH	14	384014	BOLT, 5/8"-18 X 1.50"
6	36836002	BASE - 10" RH	15	384016	BOLT, 5/8"-18 X 1.75"
7	36837001	BASE - 14" DBL CUT	16	396001	NUT, SLTL 5/8" -18



Picture shows widest cut available on this page,
narrower cut bases and setups will look different.
Refer to part number of base in width of cut section.

7600K ROTARY WITH 3/4" BLOCKS

Mounting pattern for boom length
available upon request

10" Wide Cut Bases

7600KR100625
7600KR100765
7600KR100905

NO.	PART NO.	DESCRIPTION
1	304599001	BASE-ROTARY 12A
2	304600001	BASE-ROTARY 12B
3	304601001	BASE-ROTARY 12C
4	304602001	BASE-ROTARY 12D
5	304603001	BASE-ROTARY 12E
6	304604001	BASE-ROTARY 12F
7	304605001	BASE-ROTARY 12G
8	304606001	BASE-ROTARY 12H
15	384024	BOLT, 5/8"-18 X 2.50"
16	396001	NUT, SLTL 5/8" -18
17	85706001	WASHER, 5/8"

12" Wide Cut Bases

7600KR120625
7600KR120765
7600KR120905

NO.	PART NO.	DESCRIPTION
1	304749001	BASE-ROTARY 13A
2	304750001	BASE-ROTARY 13B
3	304751001	BASE-ROTARY 13C
4	304752001	BASE-ROTARY 13D
5	304753001	BASE-ROTARY 13E
6	304754001	BASE-ROTARY 13F
7	304755001	BASE-ROTARY 13G
8	304756001	BASE-ROTARY 13H
15	384024	BOLT, 5/8"-18 X 2.50"
16	396001	NUT, SLTL 5/8" -18
17	85706001	WASHER, 5/8"

14" Wide Cut Bases

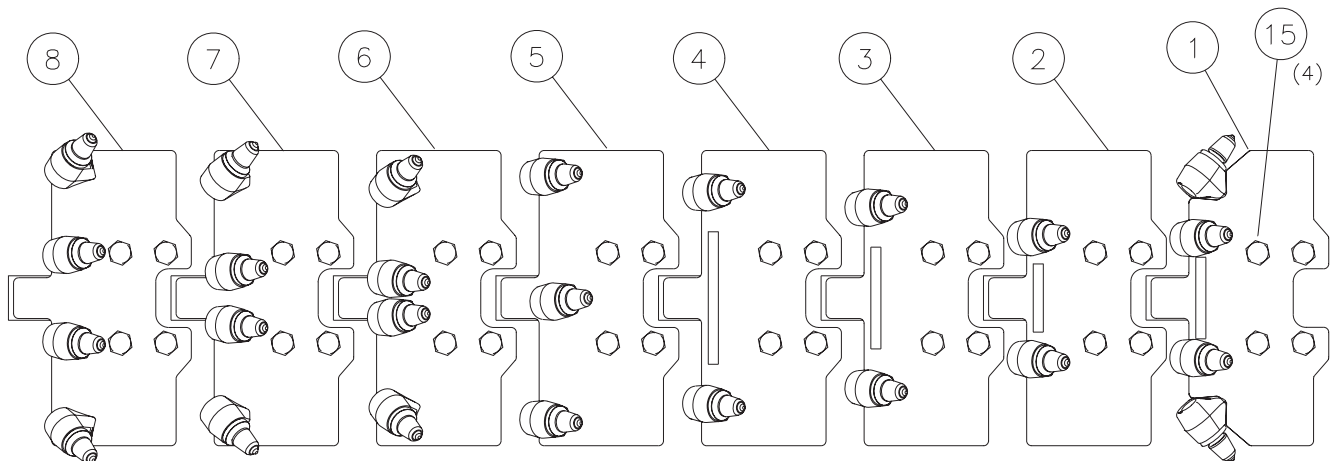
7600KR140625
7600KR140765
7600KR140905

NO.	PART NO.	DESCRIPTION
1	304757001	BASE-ROTARY 14A
2	304758001	BASE-ROTARY 14B
3	304759001	BASE-ROTARY 14C
4	304760001	BASE-ROTARY 14D
5	304761001	BASE-ROTARY 14E
6	304762001	BASE-ROTARY 14F
7	304763001	BASE-ROTARY 14G
8	304764001	BASE-ROTARY 14H
15	384024	BOLT, 5/8"-18 X 2.50"
16	396001	NUT, SLTL 5/8" -18
17	85706001	WASHER, 5/8"

16" Wide Cut Bases

7600KR160625
7600KR160765
7600KR160905

NO.	PART NO.	DESCRIPTION
1	304800001	BASE-ROTARY 16A
2	304801001	BASE-ROTARY 16B
3	304802001	BASE-ROTARY 16C
4	304803001	BASE-ROTARY 16D
5	304804001	BASE-ROTARY 16E
6	304805001	BASE-ROTARY 16F
7	304806001	BASE-ROTARY 16G
8	304807001	BASE-ROTARY 16H
15	384024	BOLT, 5/8"-18 X 2.50"
16	396001	NUT, SLTL 5/8" -18
17	85706001	WASHER, 5/8"



Picture shows widest cut available on this page, narrower cut bases and setups will look different. Refer to part number of base in width of cut section.

7600K ROTARY WITH 3/4" BLOCKS

Mounting pattern for boom length
available upon request

18" Wide Cut Bases

7600KR180625
7600KR180765
7600KR180905

NO.	PART NO.	DESCRIPTION
1	304765001	BASE-ROTARY 15A
2	304766001	BASE-ROTARY 15B
3	304767001	BASE-ROTARY 15C
4	304768001	BASE-ROTARY 15D
5	304769001	BASE-ROTARY 15E
6	304770001	BASE-ROTARY 15F
7	304771001	BASE-ROTARY 15G
8	304772001	BASE-ROTARY 15H
15	384024	BOLT, 5/8"-18 X 2.50"
16	396001	NUT, SLTL 5/8" -18
17	85706001	WASHER, 5/8"

20" Wide Cut Bases

7600KR200625
7600KR200765
7600KR200905

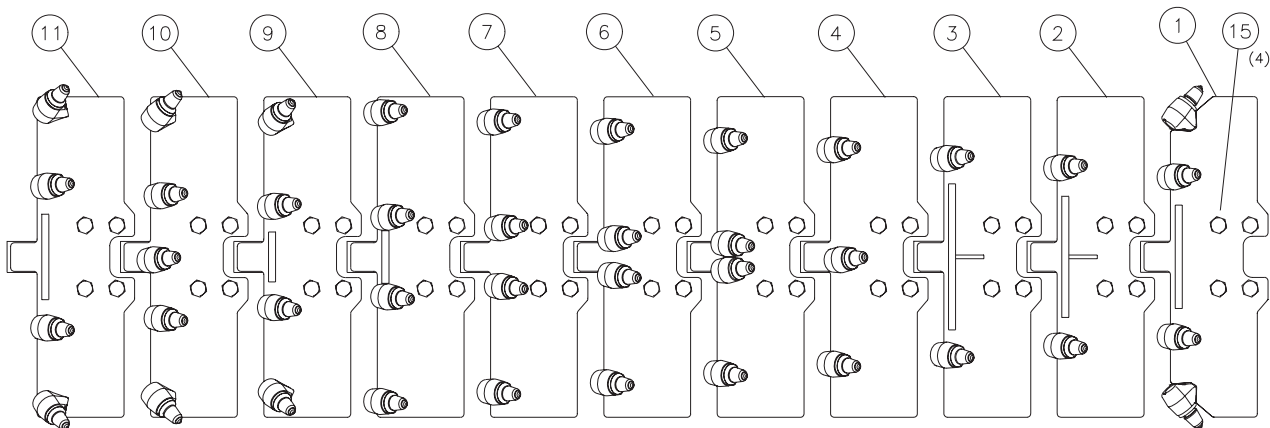
NO.	PART NO.	DESCRIPTION
1	304811001	BASE-ROTARY 17A
2	304812001	BASE-ROTARY 17B
3	304813001	BASE-ROTARY 17C
4	304814001	BASE-ROTARY 17D
5	304815001	BASE-ROTARY 17E
6	304816001	BASE-ROTARY 17F
7	304817001	BASE-ROTARY 17G
8	304818001	BASE-ROTARY 17H
9	304819001	BASE-ROTARY 17I
10	304820001	BASE-ROTARY 17J
11	304821001	BASE-ROTARY 17K
15	384024	BOLT, 5/8"-18 X 2.50"
16	396001	NUT, SLTL 5/8" -18
17	85706001	WASHER, 5/8"

24" Wide Cut Bases

7600KR240625
7600KR240765
7600KR240905

NO.	PART NO.	DESCRIPTION
1	304822001	BASE-ROTARY 18A
2	304823001	BASE-ROTARY 18B
3	304824001	BASE-ROTARY 18C
4	304825001	BASE-ROTARY 18D
5	304826001	BASE-ROTARY 18E
6	304827001	BASE-ROTARY 18F
7	304828001	BASE-ROTARY 18G
8	304829001	BASE-ROTARY 18H
9	304830001	BASE-ROTARY 18I
10	304831001	BASE-ROTARY 18J
11	304832001	BASE-ROTARY 18K
15	384024	BOLT, 5/8"-18 X 2.50"
16	396001	NUT, SLTL 5/8" -18
17	85706001	WASHER, 5/8"

Picture shows widest cut available on this page, narrower cut bases and setups will look different. Refer to part number of set-up in width of cut section.



2109 CUP FULL

Mounting pattern for boom length
available upon request

10" Wide Cut Bases

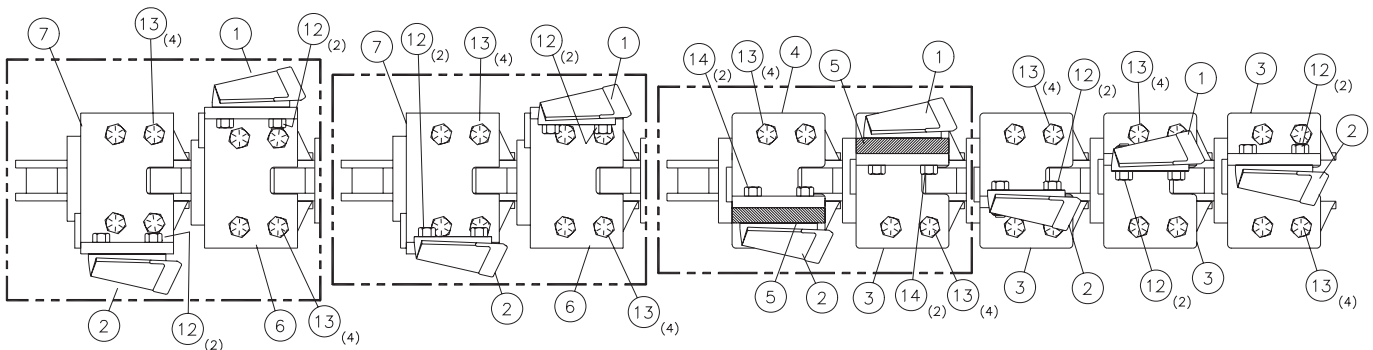
NO.	PART NO.	DESCRIPTION
	2109KC100625	*2109AC100625
	2109KC100765	*2109AC100765
	2109KC100905	*2109AC100905
1	633298001	CUP CUTTER, 7" LH
2	633297001	CUP CUTTER, 7" RH
3	82132001	BASE - 8" LH
4	82136001	BASE - 8" RH
5	46857001	BLOCK - SPACER
12	386022	BOLT, 3/4" NF X 2.25"
13	386024	BOLT, 3/4" NF X 2.50"
14	386030	BOLT, 3/4" NF X 3.00"
15	398001	NUT, SLTL 3/4" NF

12" Wide Cut Bases

NO.	PART NO.	DESCRIPTION
	2109KC120625	*2109AC120625
	2109KC120765	*2109AC120765
	2109KC120905	*2109AC120905
1	633298001	CUP CUTTER, 7" LH
2	633297001	CUP CUTTER, 7" RH
3	82132001	BASE - 8" LH
4	82136001	BASE - 8" RH
6	82137001	BASE - 12" LH
7	82139001	BASE - 12" RH
12	386022	BOLT, 3/4" NF X 2.25"
13	386024	BOLT, 3/4" NF X 2.50"
15	398001	NUT, SLTL 3/4" NF

14" Wide Cut Bases

NO.	PART NO.	DESCRIPTION	NO.	PART NO.	DESCRIPTION
	2109KC140625	*2109AC140625			
	2109KC140765	*2109AC140765			
	2109KC140905	*2109AC140905			
1	633298001	CUP CUTTER, 7" LH	7	82139001	BASE - 12" RH
2	633297001	CUP CUTTER, 7" RH	12	386022	BOLT, 3/4" NF X 2.25"
3	82132001	BASE - 8" LH	13	386024	BOLT, 3/4" NF X 2.50"
4	82136001	BASE - 8" RH	15	398001	NUT, SLTL 3/4" NF
6	82137001	BASE - 12" LH			



14" CUTTER SETUP 12" CUTTER SETUP 10" CUTTER SETUP

It only takes 5 bases to get the cut widths listed on this page. (Example: If a 14" cut is needed disregard the 12" and 10" setups.)

* INDICATES PART NUMBERS WITH HEAVY DUTY KNUCKLE CHAIN

2109 CUP FULL

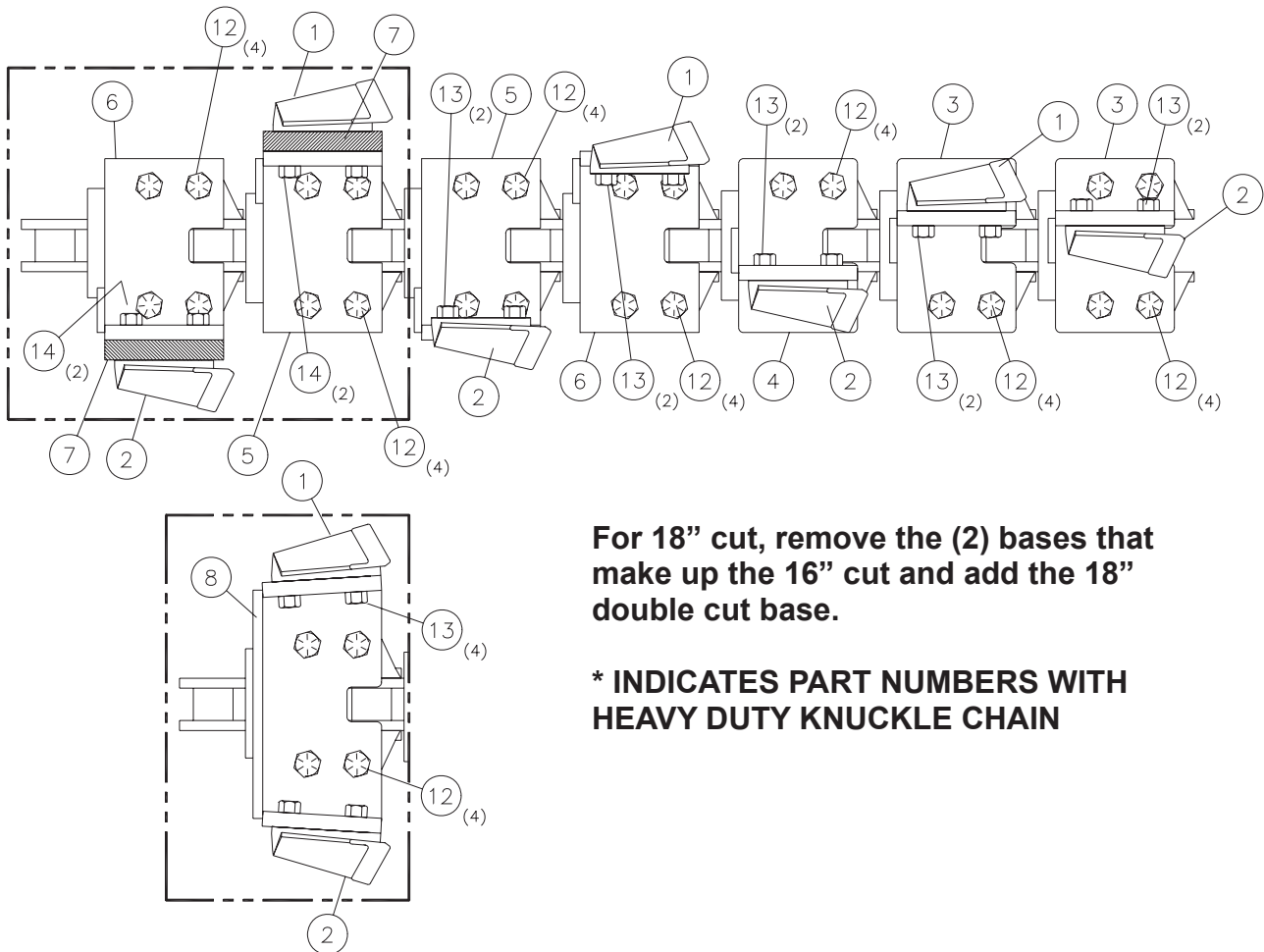
Mounting pattern for boom length
available upon request

16" Wide Cut Bases

NO.	PART NO.	DESCRIPTION
	2109KC160625	*2109AC160625
	2109KC160765	*2109AC160765
	2109KC160905	*2109AC160905
NO.	PART NO.	DESCRIPTION
1	633298001	CUP CUTTER, 7" LH
2	633297001	CUP CUTTER, 7" RH
3	82132001	BASE - 8" LH
4	82136001	BASE - 8" RH
5	82137001	BASE - 12" LH
6	82139001	BASE - 12" RH
7	46857001	BLOCK - SPACER
12	386024	BOLT, 3/4" NF X 2.50"
13	386022	BOLT, 3/4" NF X 2.25"
14	386030	BOLT, 3/4" NF X 3.00"
15	398001	NUT, SLTL 3/4" NF

18" Wide Cut Bases

NO.	PART NO.	DESCRIPTION
	2109KC180625	*2109AC180625
	2109KC180765	*2109AC180765
	2109KC180905	*2109AC180905
NO.	PART NO.	DESCRIPTION
1	633298001	CUP CUTTER, 7" LH
2	633297001	CUP CUTTER, 7" RH
3	82132001	BASE - 8" LH
4	82136001	BASE - 8" RH
5	82137001	BASE - 12" LH
6	82139001	BASE - 12" RH
7	46857001	BLOCK - SPACER
8	82140001	BASE - 18" DBL.
12	386024	BOLT, 3/4" NF X 2.50"
13	386022	BOLT, 3/4" NF X 2.25"
15	398001	NUT, SLTL 3/4" NF



For 18" cut, remove the (2) bases that make up the 16" cut and add the 18" double cut base.

* INDICATES PART NUMBERS WITH HEAVY DUTY KNUCKLE CHAIN

2109 CUP FULL

Mounting pattern for boom length
available upon request

20" Wide Cut Bases

2109KC200625 *2109AC200625
2109KC200765 *2109AC200765
2109KC200905 *2109AC200905

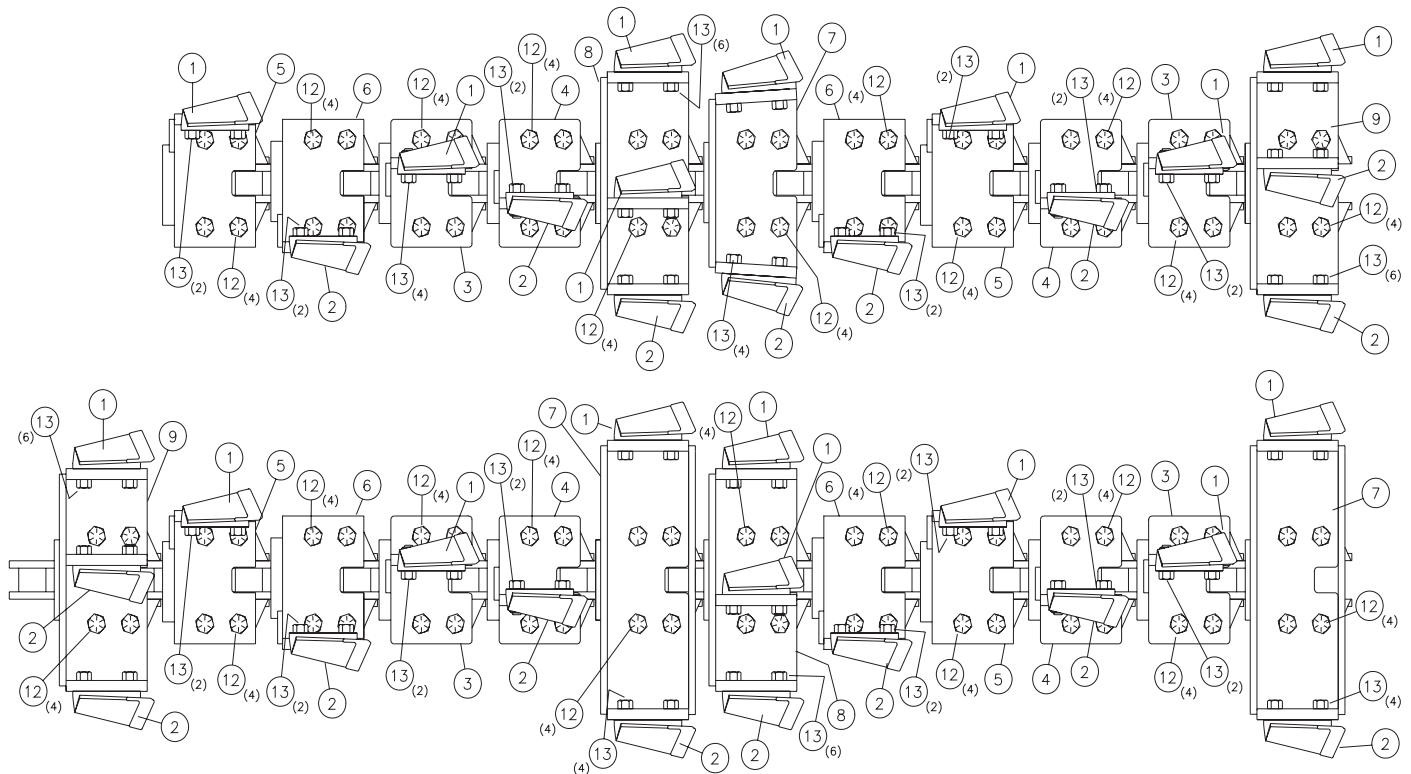
NO.	PART NO.	DESCRIPTION
1	633298001	CUP CUTTER, 7" LH
2	633297001	CUP CUTTER, 7" RH
3	82132001	BASE - 8" LH
4	82136001	BASE - 8" RH
5	82137001	BASE - 12" LH
6	82139001	BASE - 12" RH
7	82140001	BASE - 18" DBL
8	101322001	BASE - 20" W/8 LH
9	101324001	BASE - 20" W/8 RH
12	386024	BOLT, 3/4" NF X 2.50"
13	386022	BOLT, 3/4" NF X 2.25"
15	398001	NUT, SLTL 3/4" NF

24" Wide Cut Bases

2109KC240625 *2109AC240625
2109KC240765 *2109AC240765
2109KC240905 *2109AC240905

NO.	PART NO.	DESCRIPTION
1	633298001	CUP CUTTER, 7" LH
2	633297001	CUP CUTTER, 7" RH
3	82132001	BASE - 8" LH
4	82136001	BASE - 8" RH
5	82137001	BASE - 12" LH
6	82139001	BASE - 12" RH
7	627758001	BASE - 24" DBL
8	101322001	BASE - 20" W/8 LH
9	101324001	BASE - 20" W/8 RH
12	386024	BOLT, 3/4" NF X 2.50"
13	386022	BOLT, 3/4" NF X 2.25"
15	398001	NUT, SLTL 3/4" NF

20" CUT



24" CUT

* INDICATES PART NUMBERS WITH HEAVY DUTY KNUCKLE CHAIN

2109 TIGER FULL

Mounting pattern for boom length
available upon request

10" Wide Cut Bases

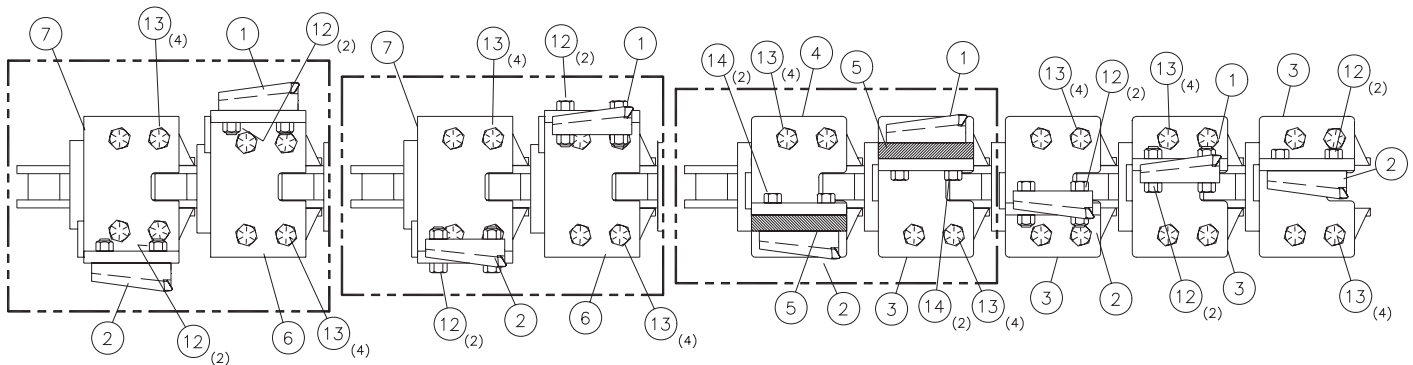
	2109KT100625	*2109AT100625
	2109KT100765	*2109AT100765
	2109KT100905	*2109AT100905
NO.	PART NO.	DESCRIPTION
1	289076001	CUTTER, 7" LH TIGER
2	289075001	CUTTER, 7" RH TIGER
3	82132001	BASE - 8" LH
4	82136001	BASE - 8" RH
5	46857001	BLOCK - SPACER
12	386022	BOLT, 3/4" NF X 2.25"
13	386024	BOLT, 3/4" NF X 2.50"
14	386030	BOLT, 3/4" NF X 3.00"
15	398001	NUT, SLTL 3/4" NF

12" Wide Cut Bases

	2109KT120625	*2109AT120625
	2109KT120765	*2109AT120765
	2109KT120905	*2109AT120905
NO.	PART NO.	DESCRIPTION
1	289076001	CUTTER, 7" LH TIGER
2	289075001	CUTTER, 7" RH TIGER
3	82132001	BASE - 8" LH
4	82136001	BASE - 8" RH
6	82137001	BASE - 12" LH
7	82139001	BASE - 12" RH
12	386022	BOLT, 3/4" NF X 2.25"
13	386024	BOLT, 3/4" NF X 2.50"
15	398001	NUT, SLTL 3/4" NF

14" Wide Cut Bases

	2109KT140625	*2109AT140625			
	2109KT140765	*2109AT140765			
	2109KT140905	*2109AT140905			
NO.	PART NO.	DESCRIPTION	NO.	PART NO.	DESCRIPTION
1	289076001	CUTTER, 7" LH TIGER	7	82139001	BASE - 12" RH
2	289075001	CUTTER, 7" RH TIGER	12	386022	BOLT, 3/4" NF X 2.25"
3	82132001	BASE - 8" LH	13	386024	BOLT, 3/4" NF X 2.50"
4	82136001	BASE - 8" RH	15	398001	NUT, SLTL 3/4" NF
6	82137001	BASE - 12" LH			



14" CUTTER SETUP 12" CUTTER SETUP 10" CUTTER SETUP

It only takes 5 bases to get the cut widths listed on this page. (Example: If a 14" cut is needed disregard the 12" and 10" setups.)

*** INDICATES PART NUMBERS WITH HEAVY DUTY KNUCKLE CHAIN**

2109 TIGER FULL

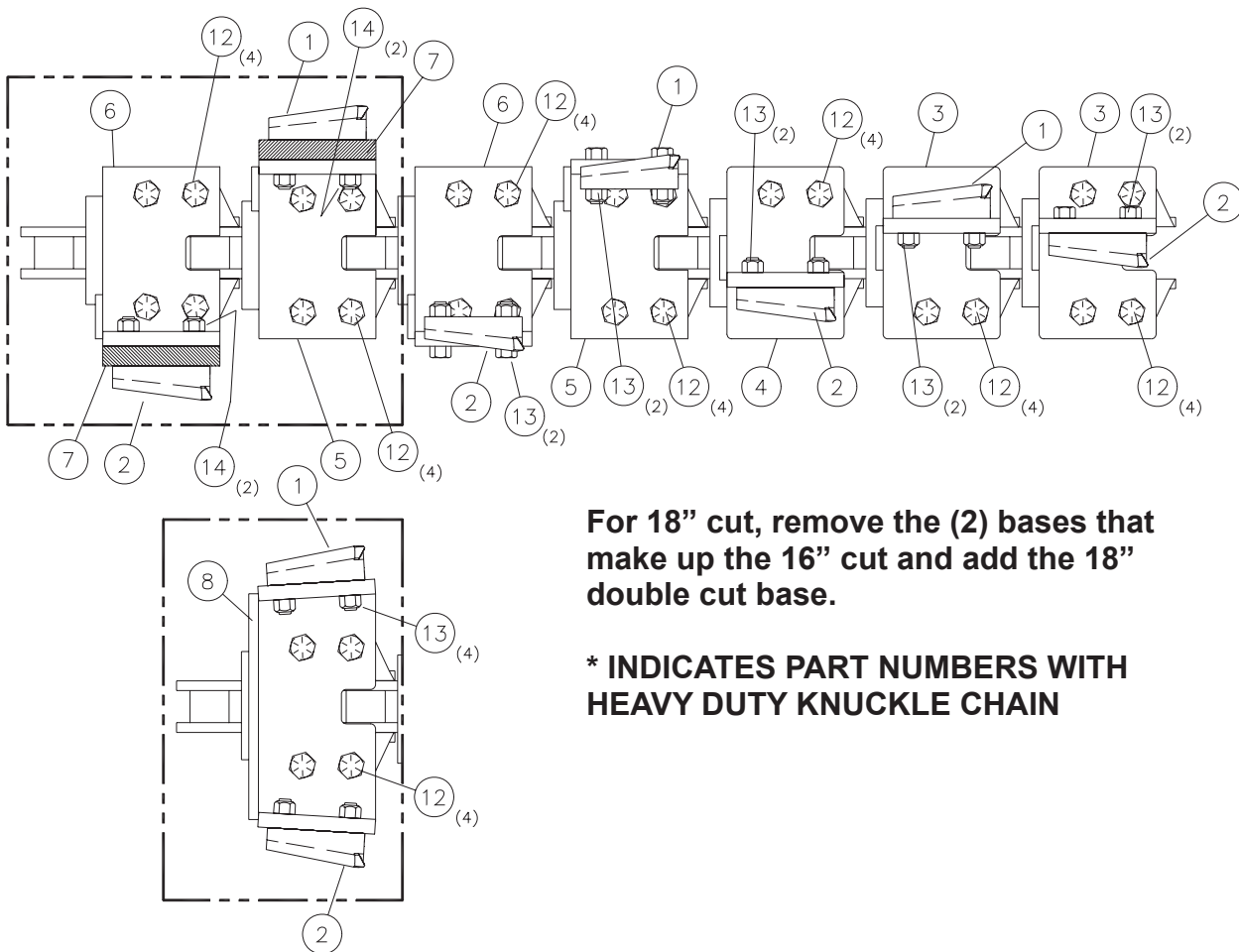
Mounting pattern for boom length
available upon request

16" Wide Cut Bases

NO.	PART NO.	DESCRIPTION
	2109KT160625	*2109AT160625
	2109KT160765	*2109AT160765
	2109KT160905	*2109AT160905
1	289076001	CUTTER, 7" LH TIGER
2	289075001	CUTTER, 7" RH TIGER
3	82132001	BASE - 8" LH
4	82136001	BASE - 8" RH
5	82137001	BASE - 12" LH
6	82139001	BASE - 12" RH
7	46857001	BLOCK - SPACER
12	386024	BOLT, 3/4" NF X 2.50"
13	386022	BOLT, 3/4" NF X 2.25"
14	386030	BOLT, 3/4" NF X 3.00"
15	398001	NUT, SLTL 3/4" NF

18" Wide Cut Bases

NO.	PART NO.	DESCRIPTION
	2109KT180625	*2109AT180625
	2109KT180765	*2109AT180765
	2109KT180905	*2109AT180905
1	289076001	CUTTER, 7" LH TIGER
2	289075001	CUTTER, 7" RH TIGER
3	82132001	BASE - 8" LH
4	82136001	BASE - 8" RH
5	82137001	BASE - 12" LH
6	82139001	BASE - 12" RH
7	46857001	BLOCK - SPACER
8	82140001	BASE - 18" DBL.
12	386024	BOLT, 3/4" NF X 2.50"
13	386022	BOLT, 3/4" NF X 2.25"
15	398001	NUT, SLTL 3/4" NF



For 18" cut, remove the (2) bases that make up the 16" cut and add the 18" double cut base.

*** INDICATES PART NUMBERS WITH HEAVY DUTY KNUCKLE CHAIN**

2109 TIGER FULL

Mounting pattern for boom length
available upon request

20" Wide Cut Bases

2109KT200625 *2109AT200625
2109KT200765 *2109AT200765
2109KT200905 *2109AT200905

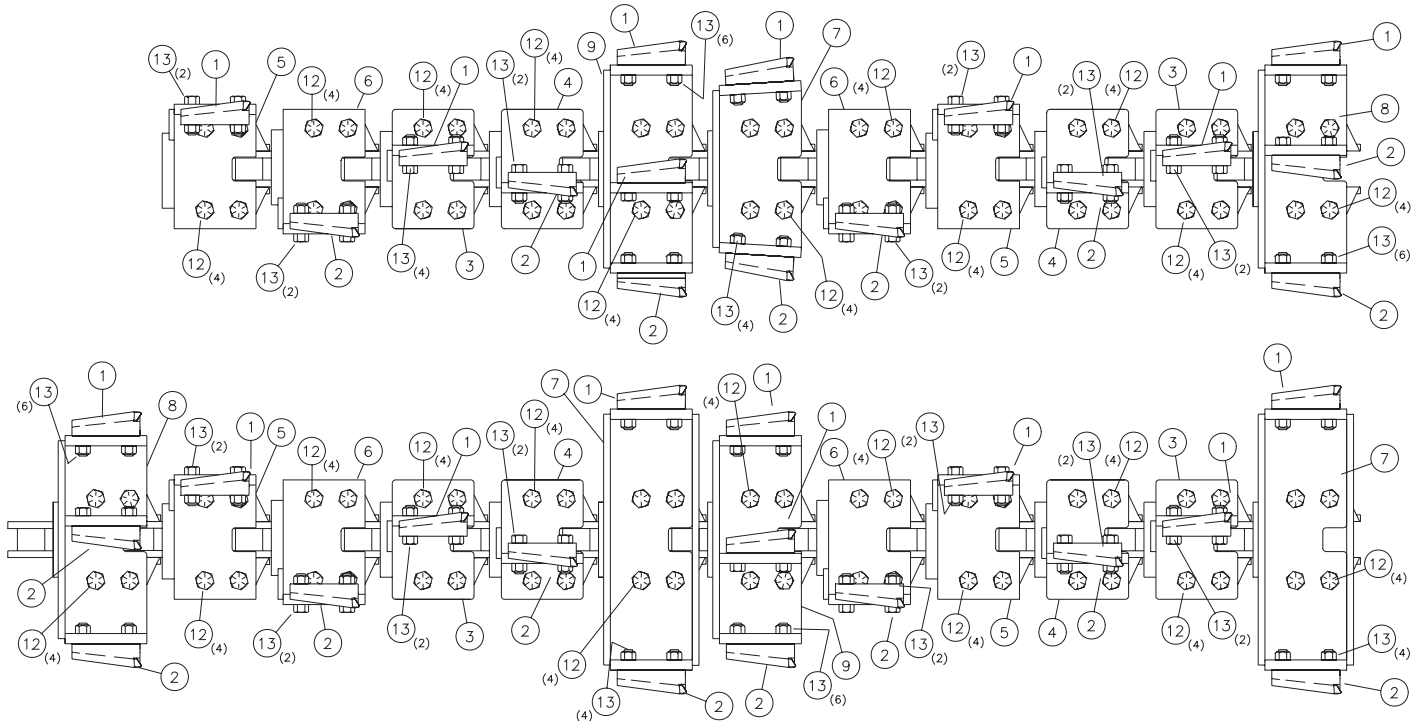
NO.	PART NO.	DESCRIPTION
1	289076001	CUTTER, 7" LH TIGER
2	289075001	CUTTER, 7" RH TIGER
3	82132001	BASE - 8" LH
4	82136001	BASE - 8" RH
5	82137001	BASE - 12" LH
6	82139001	BASE - 12" RH
7	82140001	BASE - 18" DBL
8	101322001	BASE - 20" W/8 LH
9	101324001	BASE - 20" W/8 RH
12	386024	BOLT, 3/4" NF X 2.50"
13	386022	BOLT, 3/4" NF X 2.25"
15	398001	NUT, SLTL 3/4" NF

24" Wide Cut Bases

2109KT240625 *2109AT240625
2109KT240765 *2109AT240765
2109KT240905 *2109AT240905

NO.	PART NO.	DESCRIPTION
1	289076001	CUTTER, 7" LH TIGER
2	289075001	CUTTER, 7" RH TIGER
3	82132001	BASE - 8" LH
4	82136001	BASE - 8" RH
5	82137001	BASE - 12" LH
6	82139001	BASE - 12" RH
7	101318001	BASE - 24" DBL
8	101322001	BASE - 20" W/8 LH
9	101324001	BASE - 20" W/8 RH
12	386024	BOLT, 3/4" NF X 2.50"
13	386022	BOLT, 3/4" NF X 2.25"
15	398001	NUT, SLTL 3/4" NF

20" CUT



24" CUT

* INDICATES PART NUMBERS WITH HEAVY DUTY KNUCKLE CHAIN

2109 TIGER/CUP

Mounting pattern for boom length
available upon request

10" Wide Cut Bases

2109KB100625 *2109AB100625
2109KB100765 *2109AB100765
2109KB100905 *2109AB100905

NO.	PART NO.	DESCRIPTION
1	289076001	CUTTER, 7" LH TIGER
2	289075001	CUTTER, 7" RH TIGER
3	82132001	BASE - 8" LH
4	82136001	BASE - 8" RH
5	46857001	BLOCK - SPACER
8	633298001	CUP CUTTER, 7" LH
9	633297001	CUP CUTTER, 7" RH
12	386022	BOLT, 3/4" NF X 2.25"
13	386024	BOLT, 3/4" NF X 2.50"
14	386030	BOLT, 3/4" NF X 3.00"
15	398001	NUT, SLTL 3/4" NF

12" Wide Cut Bases

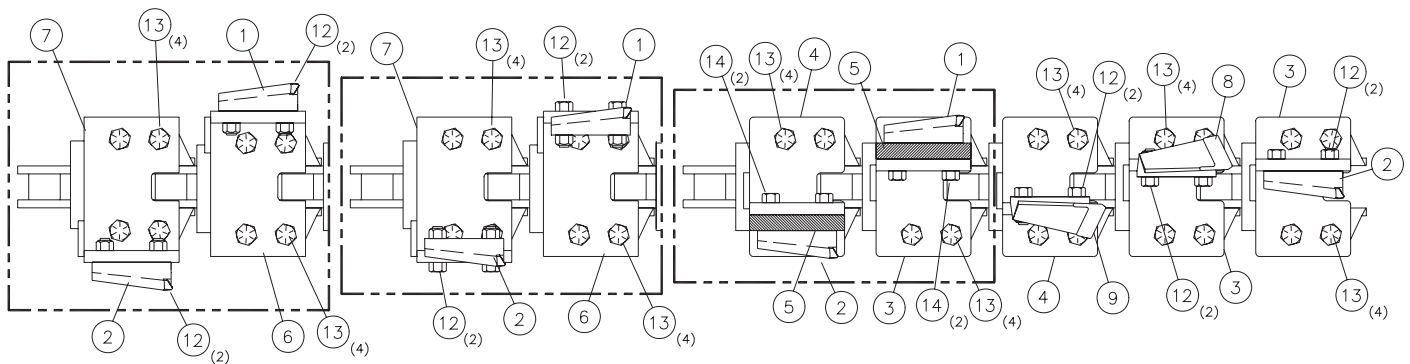
2109KB120625 *2109AB120625
2109KB120765 *2109AB120765
2109KB120905 *2109AB120905

NO.	PART NO.	DESCRIPTION
1	289076001	CUTTER, 7" LH TIGER
2	289075001	CUTTER, 7" RH TIGER
3	82132001	BASE - 8" LH
4	82136001	BASE - 8" RH
6	82137001	BASE - 12" LH
7	82139001	BASE - 12" RH
8	633298001	CUP CUTTER, 7" LH
9	633297001	CUP CUTTER, 7" RH
12	386022	BOLT, 3/4" NF X 2.25"
13	386024	BOLT, 3/4" NF X 2.50"
15	398001	NUT, SLTL 3/4" NF

14" Wide Cut Bases

2109KB140625 *2109AB140625
2109KB140765 *2109AB140765
2109KB140905 *2109AB140905

NO.	PART NO.	DESCRIPTION	NO.	PART NO.	DESCRIPTION
1	289076001	CUTTER, 7" LH TIGER	8	633298001	CUP CUTTER, 7" LH
2	289075001	CUTTER, 7" RH TIGER	9	633297001	CUP CUTTER, 7" RH
3	82132001	BASE - 8" LH	12	386022	BOLT, 3/4" NF X 2.25"
4	82136001	BASE - 8" RH	13	386024	BOLT, 3/4" NF X 2.50"
6	82137001	BASE - 12" LH	15	398001	NUT, SLTL 3/4" NF
7	82139001	BASE - 12" RH			



14" CUTTER SETUP 12" CUTTER SETUP 10" CUTTER SETUP

It only takes 5 bases to get the cut widths listed on this page. (Example: If a 14" cut is needed disregard the 12" and 10" setups.)

* INDICATES PART NUMBERS WITH HEAVY DUTY KNUCKLE CHAIN

2109 TIGER/CUP

Mounting pattern for boom length
available upon request

16" Wide Cut Bases

2109KB160625	*2109AB160625
2109KB160765	*2109AB160765
2109KB160905	*2109AB160905

NO.	PART NO.	DESCRIPTION
1	289076001	CUTTER, 7" LH TIGER
2	289075001	CUTTER, 7" RH TIGER
3	82132001	BASE - 8" LH
4	82136001	BASE - 8" RH
5	82137001	BASE - 12" LH
6	82139001	BASE - 12" RH
7	46857001	BLOCK - SPACER
9	633298001	CUP CUTTER, 7" LH
10	633297001	CUP CUTTER, 7" RH
12	386024	BOLT, 3/4" NF X 2.50"
13	386022	BOLT, 3/4" NF X 2.25"
14	386030	BOLT, 3/4" NF X 3.00"
15	398001	NUT, SLTL 3/4" NF

18" Wide Cut Bases

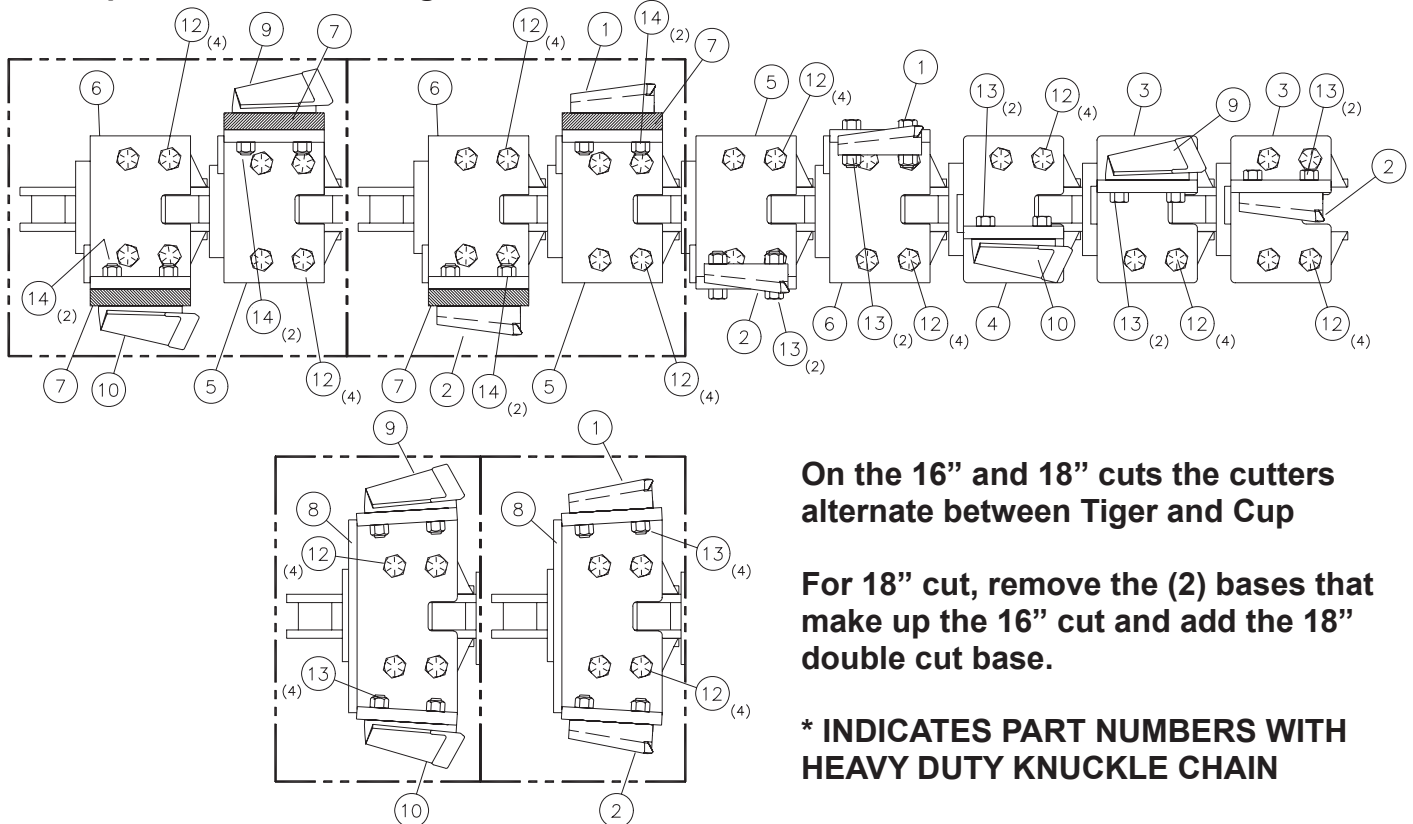
2109KB180625	*2109AB180625
2109KB180765	*2109AB180765
2109KB180905	*2109AB180905

NO.	PART NO.	DESCRIPTION
1	289076001	CUTTER, 7" LH TIGER
2	289075001	CUTTER, 7" RH TIGER
3	82132001	BASE - 8" LH
4	82136001	BASE - 8" RH
5	82137001	BASE - 12" LH
6	82139001	BASE - 12" RH
8	82140001	BASE - 18" DBL.
9	633298001	CUP CUTTER, 7" LH
10	633297001	CUP CUTTER, 7" RH
12	386024	BOLT, 3/4" NF X 2.50"
13	386022	BOLT, 3/4" NF X 2.25"
15	398001	NUT, SLTL 3/4" NF

16" CUT

Cup Cutters

Tiger Cutters



Cup Cutters Tiger Cutters
18" CUT

On the 16" and 18" cuts the cutters alternate between Tiger and Cup

For 18" cut, remove the (2) bases that make up the 16" cut and add the 18" double cut base.

* INDICATES PART NUMBERS WITH HEAVY DUTY KNUCKLE CHAIN

2109 TIGER/CUP

Mounting pattern for boom length
available upon request

20" Wide Cut Bases

2109KB200625 *2109AB200625
2109KB200765 *2109AB200765
2109KB200905 *2109AB200905

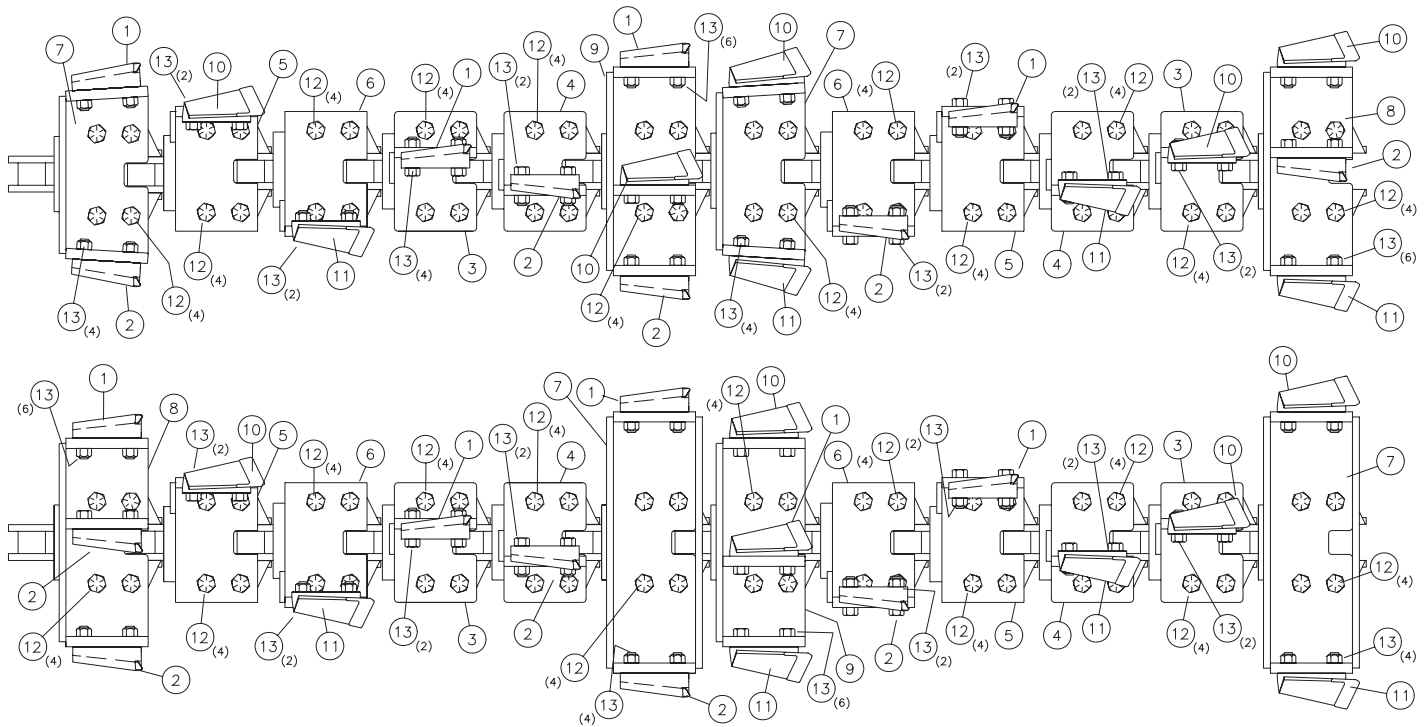
NO.	PART NO.	DESCRIPTION
1	289076001	CUTTER, 7" LH TIGER
2	289075001	CUTTER, 7" RH TIGER
3	82132001	BASE - 8" LH
4	82136001	BASE - 8" RH
5	82137001	BASE - 12" LH
6	82139001	BASE - 12" RH
7	82140001	BASE - 18" DBL
8	101322001	BASE - 20" W/8 LH
9	101324001	BASE - 20" W/8 RH
10	260324001	CUP CUTTER, 7" LH
11	260323001	CUP CUTTER, 7" RH
12	386024	BOLT, 3/4" NF X 2.50"
13	386022	BOLT, 3/4" NF X 2.25"
15	398001	NUT, SLTL 3/4" NF

24" Wide Cut Bases

2109KB240625 *2109AB240625
2109KB240765 *2109AB240765
2109KB240905 *2109AB240905

NO.	PART NO.	DESCRIPTION
1	289076001	CUTTER, 7" LH TIGER
2	289075001	CUTTER, 7" RH TIGER
3	82132001	BASE - 8" LH
4	82136001	BASE - 8" RH
5	82137001	BASE - 12" LH
6	82139001	BASE - 12" RH
7	101318001	BASE - 24" DBL
8	101322001	BASE - 20" W/8 LH
9	101324001	BASE - 20" W/8 RH
10	260324001	CUP CUTTER, 7" LH
11	260323001	CUP CUTTER, 7" RH
12	386024	BOLT, 3/4" NF X 2.50"
13	386022	BOLT, 3/4" NF X 2.25"
15	398001	NUT, SLTL 3/4" NF

20" CUT



24" CUT

* INDICATES PART NUMBERS WITH HEAVY DUTY KNUCKLE CHAIN

2109 ROTARY W/3/4" BLOCKS 40" E.I.

Mounting pattern for boom length
available upon request

10" Wide Cut Bases

NO.	PART NO.	DESCRIPTION
	2109KR10064 5	*2109AR100645
	2109KR100705	*2109AR100705
	2109KR100785	*2109AR100785
1	304106001	BASE-ROTARY 21A
2	304107001	BASE-ROTARY 21B
3	304108001	BASE-ROTARY 21C
4	304109001	BASE-ROTARY 21D
5	304110001	BASE-ROTARY 21E
6	304111001	BASE-ROTARY 21F
7	304112001	BASE-ROTARY 21G
12	386024	BOLT, 3/4"-16 X 2.5"
**13	386030	BOLT, 3/4"-16 X 3.00"
16	398001	NUT, SLTL 3/4"-16
17	85979001	WASHER-3/4"HARDEN

12" Wide Cut Bases

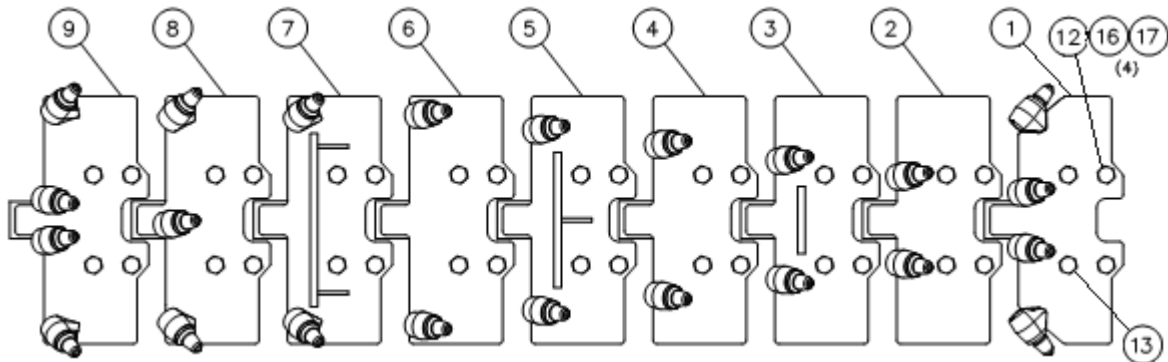
NO.	PART NO.	DESCRIPTION
	2109KR120645	*2109AR120645
	2109KR120705	*2109AR120705
	2109KR120785	*2109AR120785
1	304113001	BASE-ROTARY 22A
2	304114001	BASE-ROTARY 22B
3	304115001	BASE-ROTARY 22C
4	304116001	BASE-ROTARY 22D
5	304117001	BASE-ROTARY 22E
6	304118001	BASE-ROTARY 22F
7	304119001	BASE-ROTARY 22G
8	304120001	BASE-ROTARY 22H
12	386024	BOLT, 3/4"-16 X 2.5"
**13	386030	BOLT, 3/4"-16 X 3.00"
16	398001	NUT, SLTL 3/4"-16
17	85979001	WASHER-3/4"HARDEN

14" Wide Cut Bases

NO.	PART NO.	DESCRIPTION
	2109KR140645	*2109AR140645
	2109KR140705	*2109AR140705
	2109KR140785	*2109AR140785
1	304121001	BASE-ROTARY 23A
2	304122001	BASE-ROTARY 23B
3	304123001	BASE-ROTARY 23C
4	304124001	BASE-ROTARY 23D
5	304125001	BASE-ROTARY 23E
6	304126001	BASE-ROTARY 23F
7	304127001	BASE-ROTARY 23G
8	304128001	BASE-ROTARY 23H
9	304129001	BASE-ROTARY 23I
12	386024	BOLT, 3/4"-16 X 2.5"
**13	386030	BOLT, 3/4"-16 X 3.00"
16	398001	NUT, SLTL 3/4"-16
17	85979001	WASHER-3/4"HARDEN

18" Wide Cut Bases

NO.	PART NO.	DESCRIPTION
	2109KR180645	*2109AR180645
	2109KR180705	*2109AR180705
	2109KR180785	*2109AR180785
1	304130001	BASE-ROTARY 24C
2	304131001	BASE-ROTARY 24D
3	304132001	BASE-ROTARY 24E
4	304133001	BASE-ROTARY 24F
5	304134001	BASE-ROTARY 24G
6	304135001	BASE-ROTARY 24H
7	304136001	BASE-ROTARY 24I
8	304137001	BASE-ROTARY 24J
9	304138001	BASE-ROTARY 24K
12	386024	BOLT, 3/4"-16 X 2.5"
**13	386030	BOLT, 3/4"-16 X 3.00"
16	398001	NUT, SLTL 3/4"-16
17	85979001	WASHER-3/4"HARDEN



Picture shows widest cut available on this page, narrower cut bases and setups will look different. Refer to part number of base in width of cut section.

* INDICATES PART NUMBERS WITH HEAVY DUTY KNUCKLE CHAIN

** INDICATES BOLT PART NUMBER WITH HEAVY DUTY KNUCKLE CHAIN

2109 ROTARY W/3/4" BLOCKS 20" E.I.

Mounting pattern for boom length
available upon request

10" Wide Cut Bases

NO.	PART NO.	DESCRIPTION
	2109KR100625	*2109AR100625
	2109KR100765	*2109AR100765
	2109KR100905	*2109AR100905
1	304106001	BASE-ROTARY 21A
2	304107001	BASE-ROTARY 21B
3	304108001	BASE-ROTARY 21C
4	304109001	BASE-ROTARY 21D
5	304110001	BASE-ROTARY 21E
6	304111001	BASE-ROTARY 21F
7	304112001	BASE-ROTARY 21G
12	386024	BOLT, 3/4"-16 X 2.5"
**13	386030	BOLT, 3/4"-16 X 3.00"
16	398001	NUT, SLTL 3/4"-16
17	85979001	WASHER-3/4"HARDEN

12" Wide Cut Bases

NO.	PART NO.	DESCRIPTION
	2109KR120625	*2109AR120625
	2109KR120765	*2109AR120765
	2109KR120905	*2109AR120905
1	304113001	BASE-ROTARY 22A
2	304114001	BASE-ROTARY 22B
3	304115001	BASE-ROTARY 22C
4	304116001	BASE-ROTARY 22D
5	304117001	BASE-ROTARY 22E
6	304118001	BASE-ROTARY 22F
7	304119001	BASE-ROTARY 22G
8	304120001	BASE-ROTARY 22H
12	386024	BOLT, 3/4"-16 X 2.5"
**13	386030	BOLT, 3/4"-16 X 3.00"
16	398001	NUT, SLTL 3/4"-16
17	85979001	WASHER-3/4"HARDEN

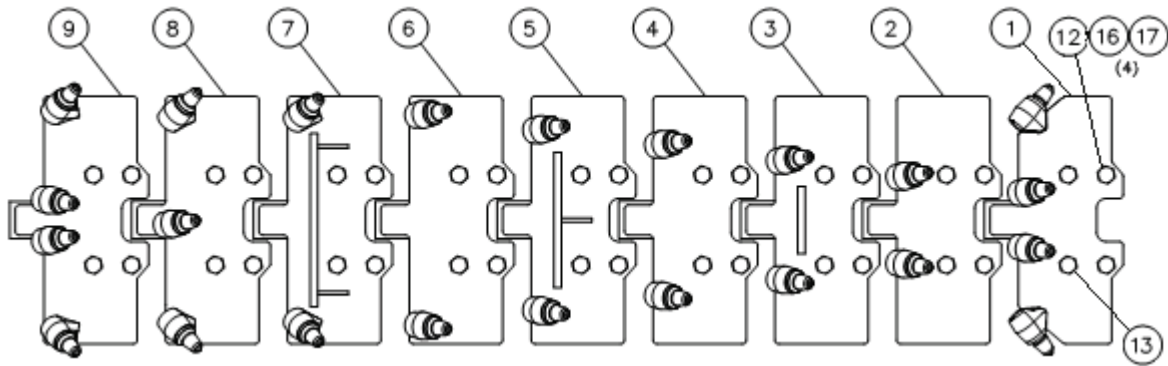
85979001 WASHER-3/4"HARDEN

2109KR140625 *2109AR140625
2109KR140765 *2109AR140765
2109KR140905 *2109AR140905

NO.	PART NO.	DESCRIPTION
1	304121001	BASE-ROTARY 23A
2	304122001	BASE-ROTARY 23B
3	304123001	BASE-ROTARY 23C
4	304124001	BASE-ROTARY 23D
5	304125001	BASE-ROTARY 23E
6	304126001	BASE-ROTARY 23F
7	304127001	BASE-ROTARY 23G
8	304128001	BASE-ROTARY 23H
9	304129001	BASE-ROTARY 23I
12	386024	BOLT, 3/4"-16 X 2.5"
**13	386030	BOLT, 3/4"-16 X 3.00"
16	398001	NUT, SLTL 3/4"-16
17	85979001	WASHER-3/4"HARDEN

18" Wide Cut Bases

NO.	PART NO.	DESCRIPTION
	2109KR180625	*2109AR180625
	2109KR180765	*2109AR180765
	2109KR180905	*2109AR180905
1	304130001	BASE-ROTARY 24C
2	304131001	BASE-ROTARY 24D
3	304132001	BASE-ROTARY 24E
4	304133001	BASE-ROTARY 24F
5	304134001	BASE-ROTARY 24G
6	304135001	BASE-ROTARY 24H
7	304136001	BASE-ROTARY 24I
8	304137001	BASE-ROTARY 24J
9	304138001	BASE-ROTARY 24K
12	386024	BOLT, 3/4"-16 X 2.5"
**13	386030	BOLT, 3/4"-16 X 3.00"
16	398001	NUT, SLTL 3/4"-16
17	85979001	WASHER-3/4"HARDEN



Picture shows widest cut available on this page, narrower cut bases and setups will look different. Refer to part number of base in width of cut section.

* INDICATES PART NUMBERS WITH HEAVY DUTY KNUCKLE CHAIN

** INDICATES BOLT PART NUMBER WITH HEAVY DUTY KNUCKLE CHAIN

2109 ROTARY W/1" BLOCKS 40" E.I.

Mounting pattern for boom length
available upon request

10" Wide Cut Bases

NO.	PART NO.	DESCRIPTION
	2109KR100641	*2109AR100641
	2109KR100701	*2109AR100701
	2109KR100781	*2109AR100781
1	304897001	BASE-ROTARY 5A
2	304898001	BASE-ROTARY 5B
3	304899001	BASE-ROTARY 5C
4	304900001	BASE-ROTARY 5D
5	304901001	BASE-ROTARY 5E
6	304902001	BASE-ROTARY 5F
12	386024	BOLT, 3/4"-16 X 2.5"
**13	386030	BOLT, 3/4"-16 X 3.00"
16	398001	NUT, SLTL 3/4"-16
17	85979001	WASHER-3/4"HARDEN

12" Wide Cut Bases

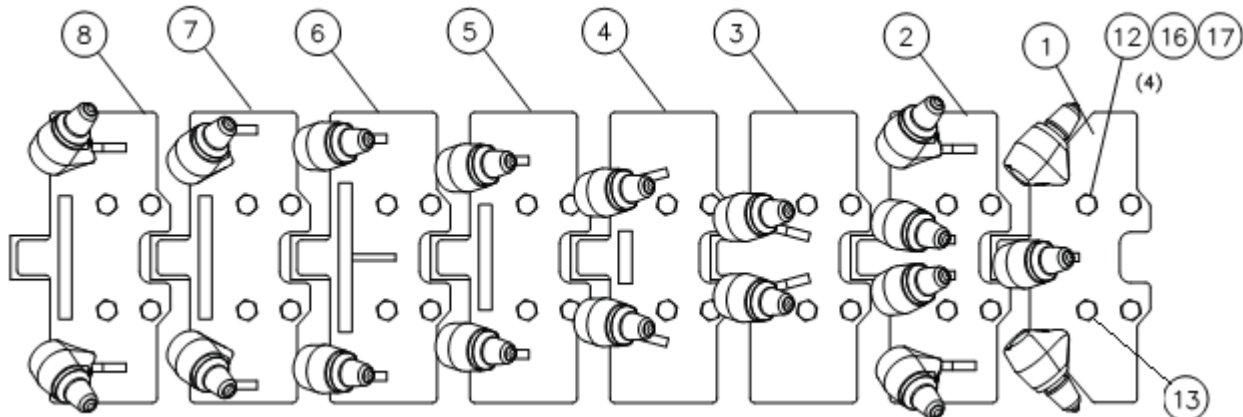
NO.	PART NO.	DESCRIPTION
	2109KR120641	*2109AR120641
	2109KR120701	*2109AR120701
	2109KR120781	*2109AR120781
1	304903001	BASE-ROTARY 1A
2	304904001	BASE-ROTARY 1B
3	304905001	BASE-ROTARY 1C
4	304906001	BASE-ROTARY 1D
5	304907001	BASE-ROTARY 1E
6	304908001	BASE-ROTARY 1F
7	304909001	BASE-ROTARY 1G
12	386024	BOLT, 3/4"-16 X 2.5"
**13	386030	BOLT, 3/4"-16 X 3.00"
16	398001	NUT, SLTL 3/4"-16
17	85979001	WASHER-3/4"HARDEN

14" Wide Cut Bases

NO.	PART NO.	DESCRIPTION
	2109KR140641	*2109AR140641
	2109KR140701	*2109AR140701
	2109KR140781	*2109AR140781
1	304910001	BASE-ROTARY 4A
2	304911001	BASE-ROTARY 4B
3	304912001	BASE-ROTARY 4C
4	304913001	BASE-ROTARY 4D
5	304914001	BASE-ROTARY 4E
6	304915001	BASE-ROTARY 4F
7	304916001	BASE-ROTARY 4G
8	304917001	BASE-ROTARY 4H
12	386024	BOLT, 3/4"-16 X 2.5"
**13	386030	BOLT, 3/4"-16 X 3.00"
16	398001	NUT, SLTL 3/4"-16
17	85979001	WASHER-3/4"HARDEN

18" Wide Cut Bases

NO.	PART NO.	DESCRIPTION
	2109KR180641	*2109AR180641
	2109KR180701	*2109AR180701
	2109KR180781	*2109AR180781
1	304918001	BASE-ROTARY 9A
2	304919001	BASE-ROTARY 9B
3	304920001	BASE-ROTARY 9C
4	304921001	BASE-ROTARY 9D
5	304922001	BASE-ROTARY 9E
6	304923001	BASE-ROTARY 9F
7	304924001	BASE-ROTARY 9G
8	304925001	BASE-ROTARY 9H
12	386024	BOLT, 3/4"-16 X 2.5"
**13	386030	BOLT, 3/4"-16 X 3.00"
16	398001	NUT, SLTL 3/4"-16
17	85979001	WASHER-3/4"HARDEN



Picture shows widest cut available on this page, narrower cut bases and setups will look different. Refer to part number of base in width of cut section.

* INDICATES PART NUMBERS WITH HEAVY DUTY KNUCKLE CHAIN

** INDICATES BOLT PART NUMBER WITH HEAVY DUTY KNUCKLE CHAIN

2109 ROTARY W/1" BLOCKS 20" E.I.

Mounting pattern for boom length
available upon request

10" Wide Cut Bases

NO.	PART NO.	DESCRIPTION
	2109KR100621	*2109AR100621
	2109KR100761	*2109AR100761
	2109KR100901	*2109AR100901
1	304897001	BASE-ROTARY 5A
2	304898001	BASE-ROTARY 5B
3	304899001	BASE-ROTARY 5C
4	304900001	BASE-ROTARY 5D
5	304901001	BASE-ROTARY 5E
6	304902001	BASE-ROTARY 5F
12	386024	BOLT, 3/4"-16 X 2.5"
**13	386030	BOLT, 3/4"-16 X 3.00"
16	398001	NUT, SLTL 3/4"-16
17	85979001	WASHER-3/4"HARDEN

12" Wide Cut Bases

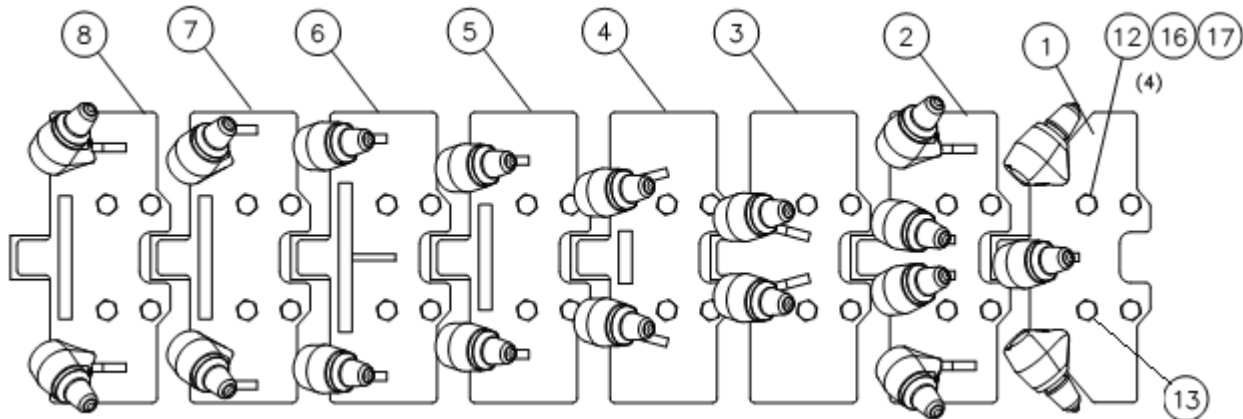
NO.	PART NO.	DESCRIPTION
	2109KR120621	*2109AR120621
	2109KR120761	*2109AR120761
	2109KR120901	*2109AR120901
1	304903001	BASE-ROTARY 1A
2	304904001	BASE-ROTARY 1B
3	304905001	BASE-ROTARY 1C
4	304906001	BASE-ROTARY 1D
5	304907001	BASE-ROTARY 1E
6	304908001	BASE-ROTARY 1F
7	304909001	BASE-ROTARY 1G
12	386024	BOLT, 3/4"-16 X 2.5"
**13	386030	BOLT, 3/4"-16 X 3.00"
16	398001	NUT, SLTL 3/4"-16
17	85979001	WASHER-3/4"HARDEN

14" Wide Cut Bases

NO.	PART NO.	DESCRIPTION
	2109KR140621	*2109HR140621
	2109KR140761	*2109AR140761
	2109KR140901	*2109AR140901
1	304910001	BASE-ROTARY 4A
2	304911001	BASE-ROTARY 4B
3	304912001	BASE-ROTARY 4C
4	304913001	BASE-ROTARY 4D
5	304914001	BASE-ROTARY 4E
6	304915001	BASE-ROTARY 4F
7	304916001	BASE-ROTARY 4G
8	304917001	BASE-ROTARY 4H
12	386024	BOLT, 3/4"-16 X 2.5"
**13	386030	BOLT, 3/4"-16 X 3.00"
16	398001	NUT, SLTL 3/4"-16
17	85979001	WASHER-3/4"HARDEN

18" Wide Cut Bases

NO.	PART NO.	DESCRIPTION
	2109KR180621	*2109AR180621
	2109KR180761	*2109AR180761
	2109KR180901	*2109AR180901
1	304918001	BASE-ROTARY 9A
2	304919001	BASE-ROTARY 9B
3	304920001	BASE-ROTARY 9C
4	304921001	BASE-ROTARY 9D
5	304922001	BASE-ROTARY 9E
6	304923001	BASE-ROTARY 9F
7	304924001	BASE-ROTARY 9G
8	304925001	BASE-ROTARY 9H
12	386024	BOLT, 3/4"-16 X 2.5"
**13	386030	BOLT, 3/4"-16 X 3.00"
16	398001	NUT, SLTL 3/4"-16
17	85979001	WASHER-3/4"HARDEN



Picture shows widest cut available on this page, narrower cut bases and setups will look different. Refer to part number of base in width of cut section.

* INDICATES PART NUMBERS WITH HEAVY DUTY KNUCKLE CHAIN

** INDICATES BOLT PART NUMBER WITH HEAVY DUTY KNUCKLE CHAIN